

■ Features :

- Universal AC input / Full range
- Protections: Short circuit / Overload / Over voltage
- Battery low protections
- Cooling by free air convection
- 100% full load burn-in test
- Fixed switching frequency at 45KHz
- 2 years warranty

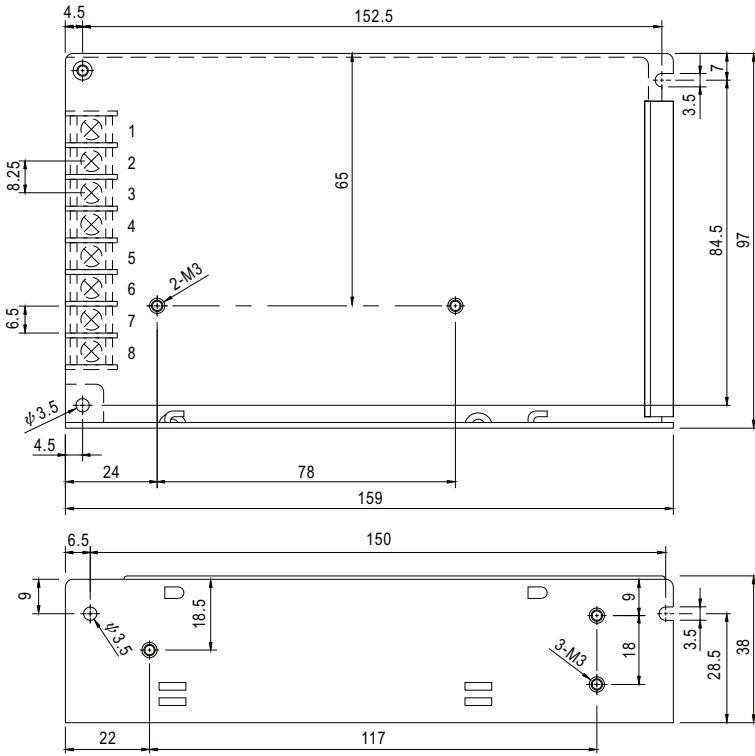


SPECIFICATION

| MODEL | | ADD-55A | | | ADD-55B | | |
|-----------------------|--|---|----------|-------|--|----------|-------|
| OUTPUT | OUTPUT NUMBER | CH1 | CH2 | CH3 | CH1 | CH2 | CH3 |
| | DC VOLTAGE | 13.8V | 5V | 13.4V | 27.6V | 5V | 26.5V |
| | RATED CURRENT | 2.5A | 3A | 0.23A | 1.3A | 3A | 0.16A |
| | CURRENT RANGE | 0 ~ 3.5A | 0 ~ 4A | ----- | 0 ~ 2A | 0 ~ 4A | ----- |
| | RATED POWER | 52.58W | | | 55.12W | | |
| | RIPPLE & NOISE (max.) Note.2 | 100mVp-p | 100mVp-p | ----- | 150mVp-p | 150mVp-p | ----- |
| | VOLTAGE ADJ. RANGE | CH1: 12 ~ 14.5V | | | CH1: 24 ~ 29V | | |
| | VOLTAGE TOLERANCE Note.3 | ±1.0% | ±3.0% | ----- | ±1.0% | ±3.0% | ----- |
| | LINE REGULATION | ±1.0% | ±0.5% | ----- | ±1.0% | ±0.5% | ----- |
| | LOAD REGULATION | ±1.0% | ±0.5% | ----- | ±1.0% | ±0.5% | ----- |
| SETUP, RISE TIME | 800ms, 50ms/230VAC 1600ms, 50ms/115VAC at full load | | | | | | |
| HOLD UP TIME (Typ.) | 80ms/230VAC 16ms/115VAC at full load | | | | | | |
| INPUT | VOLTAGE RANGE | 88 ~ 264VAC 124 ~ 370VDC | | | | | |
| | FREQUENCY RANGE | 47 ~ 63Hz | | | | | |
| | EFFICIENCY (Typ.) | 71% | | | 74% | | |
| | AC CURRENT (Typ.) | 1.6A/115VAC 1A/230VAC | | | | | |
| | INRUSH CURRENT (Typ.) | COLD START 20A/115VAC 40A/230VAC | | | | | |
| LEAKAGE CURRENT | <1mA / 240VAC | | | | | | |
| PROTECTION | OVERLOAD | 105 ~ 150% rated output power Protection type : AC Charging Mode : Hiccup mode, recovers automatically after fault condition is removed UPS Mode : Protected by internal fuse | | | | | |
| | OVER VOLTAGE | CH1:14.49 ~ 18.63V | | | CH1:28.98 ~ 37.26V Protection type : Hiccup mode, recovers automatically after fault condition is removed | | |
| FUNCTION | DC ALARM SIGNAL(OPTIONAL) | AC fail CN1 PIN2 Battery low under charge voltage 82.5%±2% CN1 PIN1 Normal 0.8V max. Abnormal 5V±0.5V | | | | | |
| | WORKING TEMP. | -10 ~ +60°C (Refer to "Derating Curve") | | | | | |
| | WORKING HUMIDITY | 20 ~ 90% RH non-condensing | | | | | |
| ENVIRONMENT | STORAGE TEMP., HUMIDITY | -20 ~ +85°C, 10 ~ 95% RH | | | | | |
| | TEMP. COEFFICIENT | ±0.03%/°C (0 ~ 50°C) on CH1 output | | | | | |
| | VIBRATION | 10 ~ 500Hz, 2G 10min./1cycle, 60min. each along X, Y, Z axes | | | | | |
| | SAFETY STANDARDS | UL60950-1, TUV EN60950-1 approved | | | | | |
| SAFETY & EMC (Note 4) | WITHSTAND VOLTAGE | I/P-O/P:3KVAC I/P-FG:2KVAC O/P-FG:0.5KVAC | | | | | |
| | ISOLATION RESISTANCE | I/P-O/P, I/P-FG, O/P-FG:100M Ohms / 500VDC / 25°C/ 70% RH | | | | | |
| | EMC EMISSION | Compliance to EN55022 (CISPR22) Class B, EN61000-3-2,-3 | | | | | |
| | EMC IMMUNITY | Compliance to EN61000-4-2,3,4,5,6,8,11, EN55024, light industry level, criteria A | | | | | |
| OTHERS | MTBF | 241.3K hrs min. MIL-HDBK-217F (25°C) | | | | | |
| | DIMENSION | 159*97*38mm (L*W*H) | | | | | |
| | PACKING | 0.57Kg; 24pcs/13.7Kg/0.75CUFT | | | | | |
| NOTE | <p>1. All parameters NOT specially mentioned are measured at 230VAC input, rated load and 25°C of ambient temperature.</p> <p>2. Ripple & noise are measured at 20MHz of bandwidth by using a 12" twisted pair-wire terminated with a 0.1uf & 47uf parallel capacitor.</p> <p>3. Tolerance : includes set up tolerance, line regulation and load regulation.</p> <p>4. The power supply is considered a component which will be installed into a final equipment. All the EMC tests are been executed by mounting the unit on a 360mm*360mm metal plate with 1mm of thickness. The final equipment must be re-confirmed that it still meets EMC directives. For guidance on how to perform these EMC tests, please refer to "EMI testing of component power supplies." (as available on http://www.meanwell.com)</p> | | | | | | |

Mechanical Specification

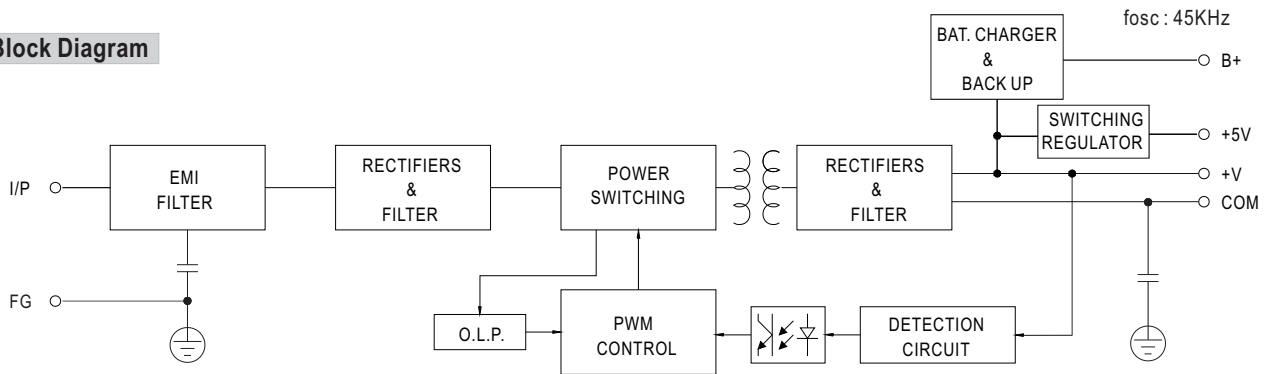
Case No. 901 Unit:mm



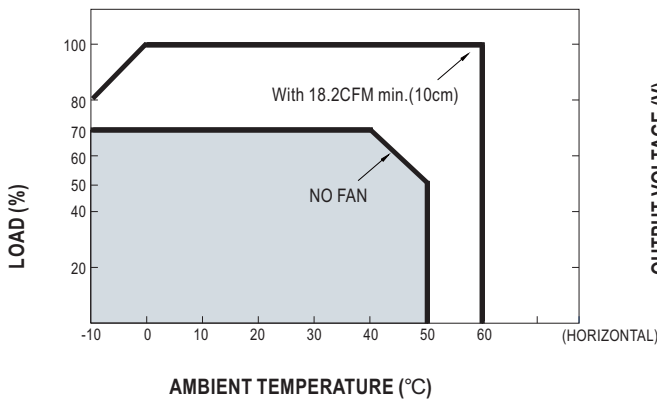
Terminal Pin No. Assignment

| Pin No. | Assignment | Pin No. | Assignment |
|---------|---------------|---------|------------------|
| 1 | AC/L | 5 | DC OUTPUT +V |
| 2 | AC/N | 6 | BAT. + |
| 3 | FG \perp | 7 | BAT.-/COM |
| 4 | DC OUTPUT COM | 8 | DC/DC OUTPUT +5V |

Block Diagram



Derating Curve



Static Characteristics (A)

