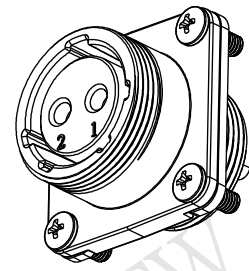
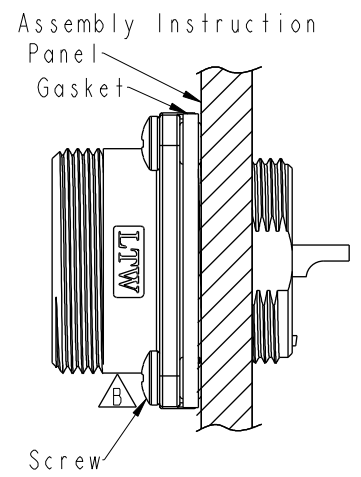
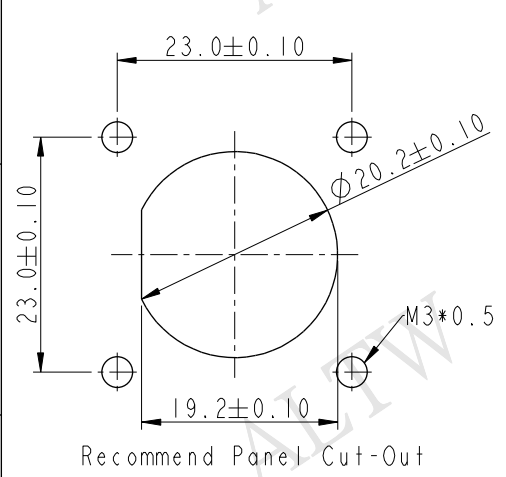
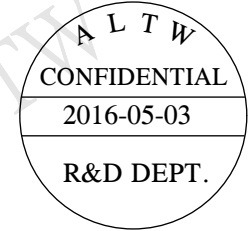
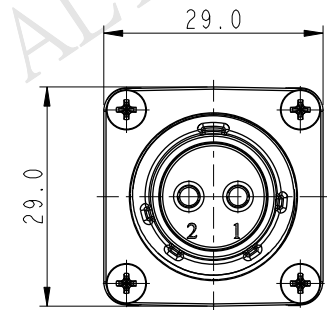
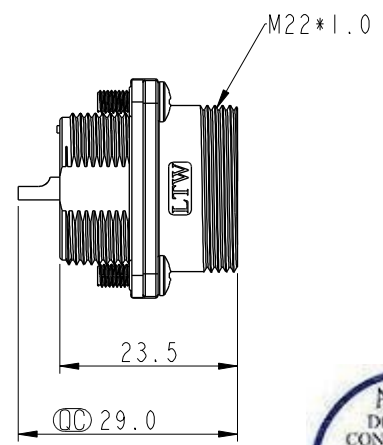
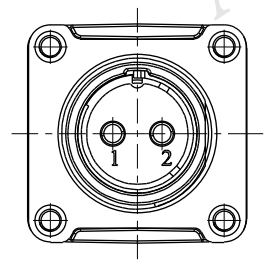
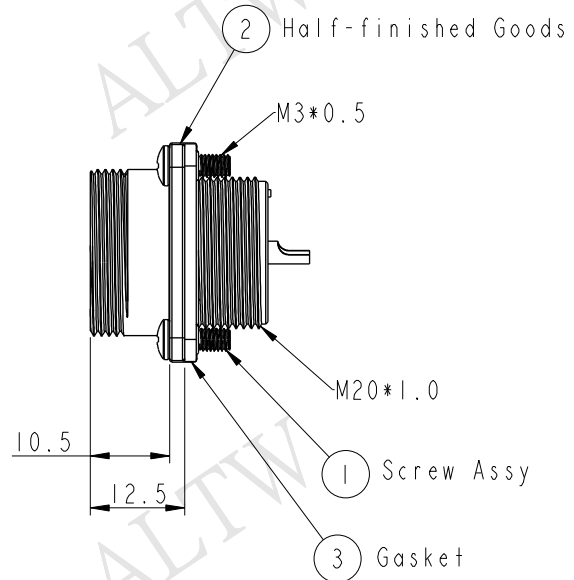


REV.	ECN NO.	DATE	SIGN	DESCRIPTION
A	Initial Release	2012/10/22	Ruru	HC20-02PMFS-SS8001 To HC20-02PMFS-SW8001
B	LEN14A0102	2014/09/13	Feng_Li	Change Logo Direction
C	LE31650214	2016/05/03	Vicky	Update Note



- △ Note:
- * Ⓞ Important Dimension.
 - * Waterproof Rate: IP68.
IP68: 1M depth of water in 24 Hrs.
(防水等級: IP68)
IP68: 水深一米測試 24 小時
 - * Shell: Zinc Alloy, Electrodeposition Coating, Black.
 - * Insulation: Nylon, Black.
 - * Female Pin: Copper Alloy, Gold Plated.
 - * Gasket: Silicone, Gray.
 - * Screw: Stainless Steel.
 - * Recommended Panel Thickness 9.0mm(Max.)

UNIT: mm		
TOLERANCE	.X ±0.25	
.XX ±0.1		
.XXX ±0.05		
ANGLES	±1°	

TITLE PANEL SCREW 2PIN M CONN F PIN			
SCALE 1:1	SIZE A4	SHEET 1 OF 1	
REV. C	WC-REV. A.3	Ⓞ: Inspection item	

Amphenol LTW
安費諾亮泰企業股份有限公司

ITEM NO. HC20-02PMFS-SW8001	DRAWN BY Vicky	DATE 2016-05-03
DWG NO. HC20-02PMFS-SW8001	CHECKED BY Rita	DATE 2016-05-03
CUSTOMER ALTW	APPROVED BY Lisa	DATE 2016-05-03

THIS DOCUMENT IS SUBJECT TO CHANGE WITHOUT NOTICE. IT IS CONFIDENTIAL AND A PROPERTY OF Amphenol LTW. DISCLOSURE TO THIRD PARTY HAS TO BE AUTHORIZED BY Amphenol LTW.