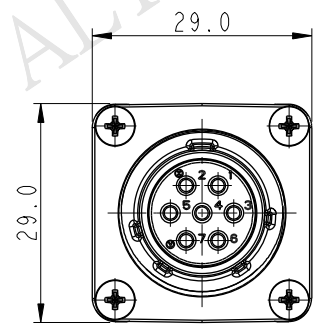
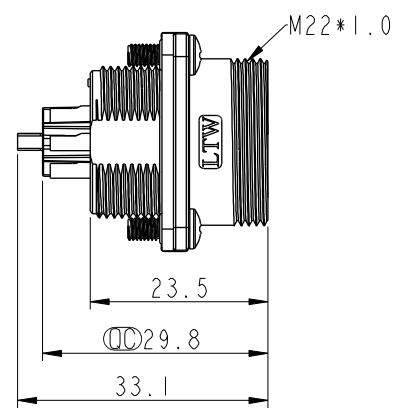
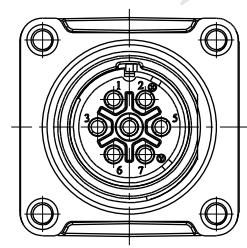
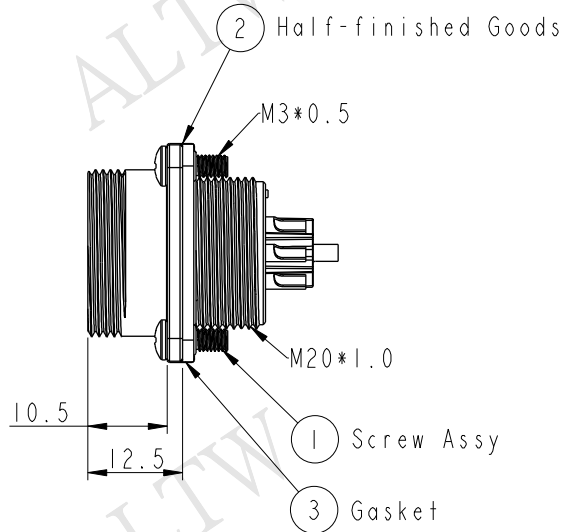


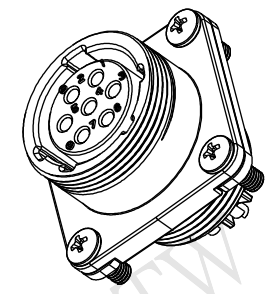
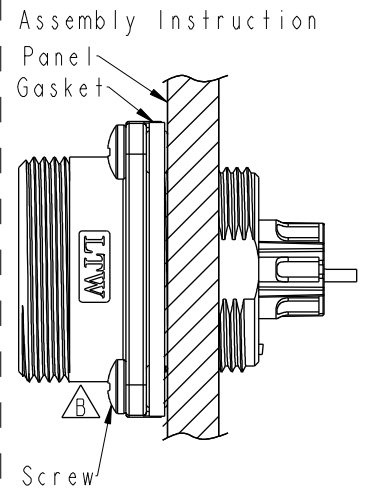
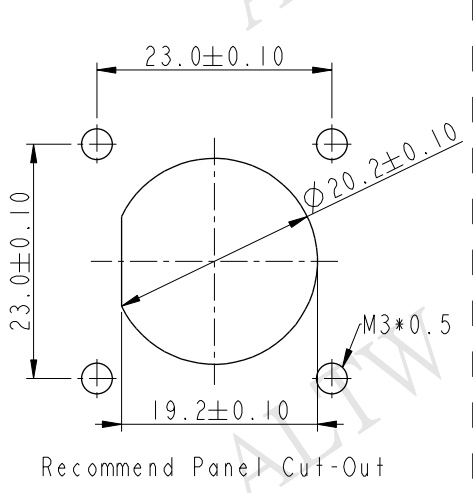
THIS DOCUMENT IS SUBJECT TO CHANGE WITHOUT NOTICE. IT IS CONFIDENTIAL AND A PROPERTY OF Amphenol LTW. DISCLOSURE TO THIRD PARTY HAS TO BE AUTHORIZED BY Amphenol LTW.

REV.	ECN NO.	DATE	SIGN	DESCRIPTION
A	Initial Release	2012/10/22	Ruru	HB20-07PMFS-SS8001 To HB20-07PMFS-SW8001
B	LEN14A0100	2014/09/13	Feng_Li	Change Logo Direction
C	LE31650212	2016/05/03	Vicky	Update Note

ALTW
CONFIDENTIAL
 2016-05-03
R&D DEPT.



ALTW
 DCC. DEPT.
 CONFIDENTIAL
 2016.05.13
ISSUED



- Note:**
- * \varnothing Important Dimension.
 - * Waterproof Rate: IP68
 IP68: 1M depth of water in 24 Hrs.
 (防水等級: IP68)
 IP68: 水深一米測試 24 小時
 - * Shell: Zinc Alloy, Electrodeposition Coating, Black.
 - * Insulation: Nylon, Black
 - * Female Pin: Copper Alloy, Gold Plated
 - * Gasket: Silicone, Gray
 - * Screw: Stainless Steel
 - * Recommended Panel Thickness: 9mm(Max).

UNIT: mm		
TOLERANCE		
.X	±0.25	
.XX	±0.1	
.XXX	±0.05	
ANGLES	±1°	

TITLE PANEL SCREW 7PIN M CONN F PIN			
SCALE 1:1	SIZE A4	SHEET 1 OF 1	
REV. C	WC-REV. A.3	\varnothing : Inspection item	

Amphenol LTW
安費諾亮泰企業股份有限公司

ITEM NO. HB20-07PMFS-SW8001	DRAWN BY Vicky	DATE 2016-05-03
DWG NO. HB20-07PMFS-SW8001	CHECKED BY Rita	DATE 2016-05-03
CUSTOMER ALTW	APPROVED BY Lisa	DATE 2016-05-03