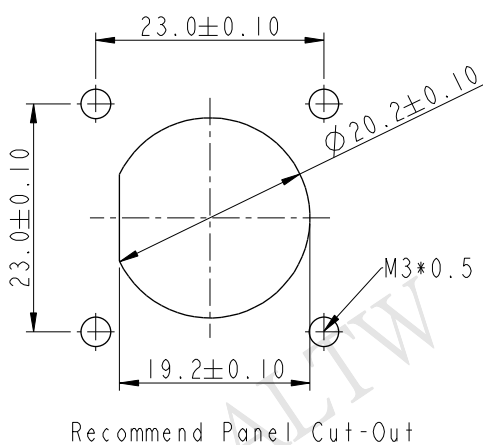
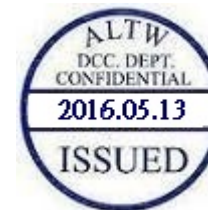
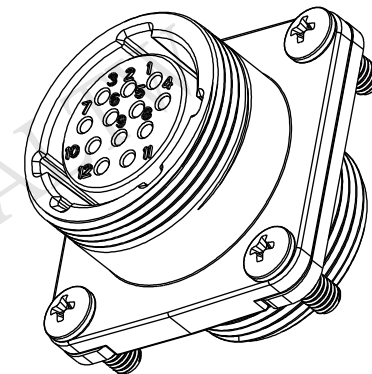
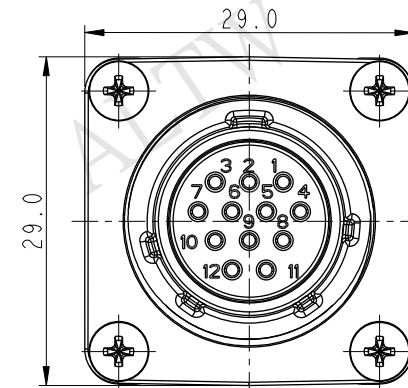
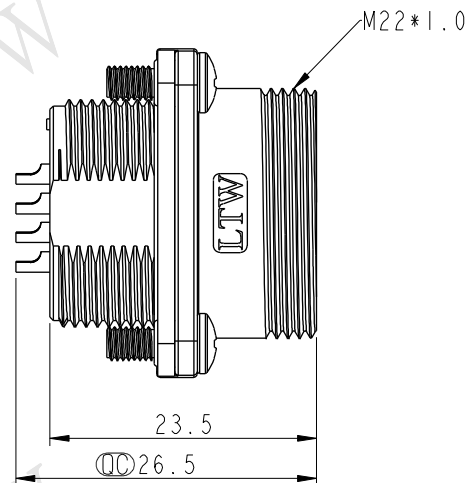
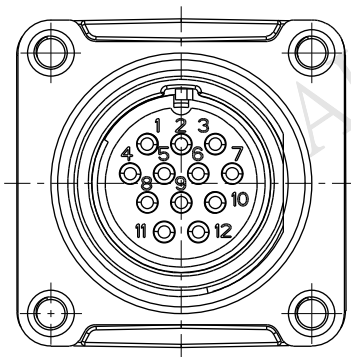
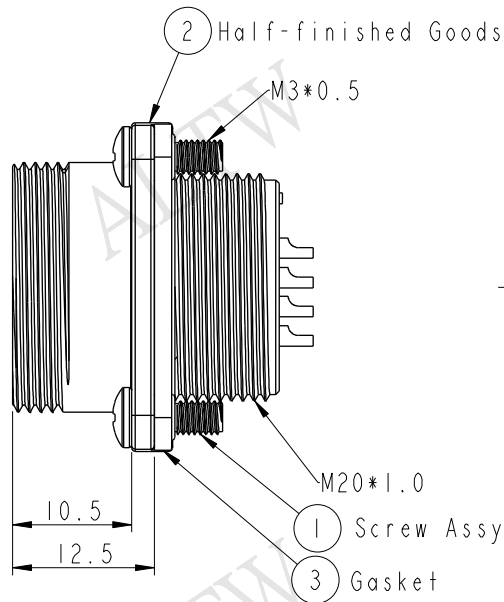
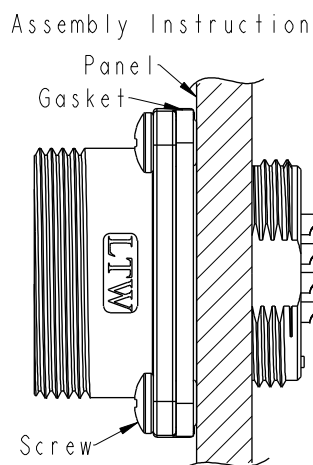


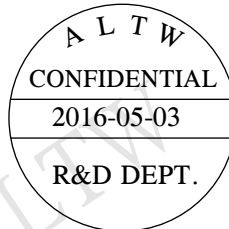
REV.	ECN NO.	DATE	SIGN	DESCRIPTION
A	Initial Release	2012/10/22	Ruru	HD20-12PMFS-SS8001 To HD20-12PMFS-SW8001
B	LE31650220	2016/05/03	Vicky	Update Note



Recommend Panel Cut-Out



- Note:**
- * \varnothing Important Dimension
 - * Waterproof Rate: IP68
IP68: 1M depth of water in 24 Hrs.
(防水等級: IP68)
IP68: 水深一米測試24小時
 - * Shell: Zinc Alloy, Electrodeposition Coating, Black.
 - * Insulation: Nylon, Black
 - * Female Pin: Copper Alloy, Gold Plated.
 - * Gasket: Silicone, Gray
 - * Screw: Stainless Steel.
 - * Recommended Panel Thickness 9mm(Max).



UNIT: mm		
TOLERANCE	.X ±0.25	
	.XX ±0.1	
	.XXX ±0.05	
ANGLES	±1°	

TITLE PANEL SCREW 12PIN M CONN F PIN			
SCALE 3:2	SIZE A4	SHEET 1 OF 1	
REV. B	WC-REV. A.2	\varnothing : Inspection item	

Amphenol LTW
安費諾亮泰企業股份有限公司

ITEM NO. HD20-12PMFS-SW8001	DRAWN BY Vicky	DATE 2016-05-03
DWG NO. HD20-12PMFS-SW8001	CHECKED BY Rita	DATE 2016-05-03
CUSTOMER ALTW	APPROVED BY Lisa	DATE 2016-05-03

THIS DOCUMENT IS SUBJECT TO CHANGE WITHOUT NOTICE. IT IS CONFIDENTIAL AND A PROPERTY OF Amphenol LTW. DISCLOSURE TO THIRD PARTY HAS TO BE AUTHORIZED BY Amphenol LTW.