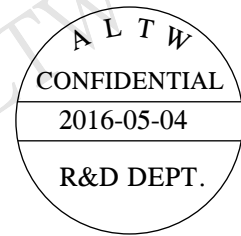
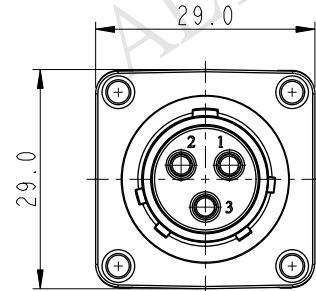
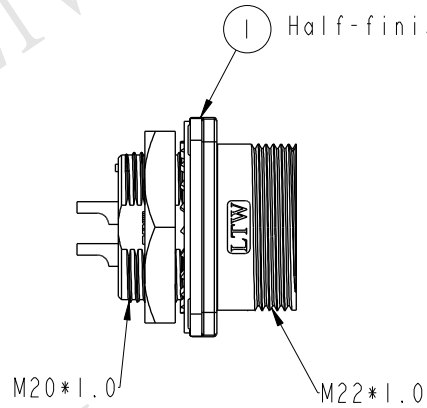
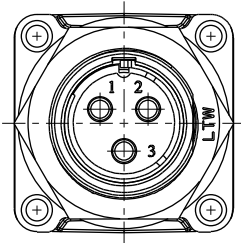
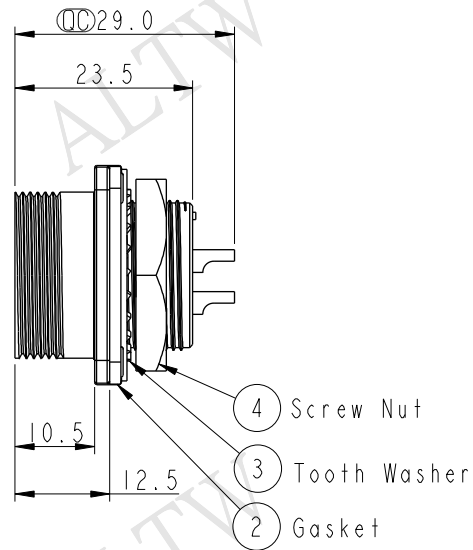
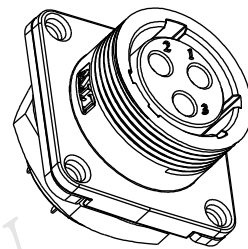
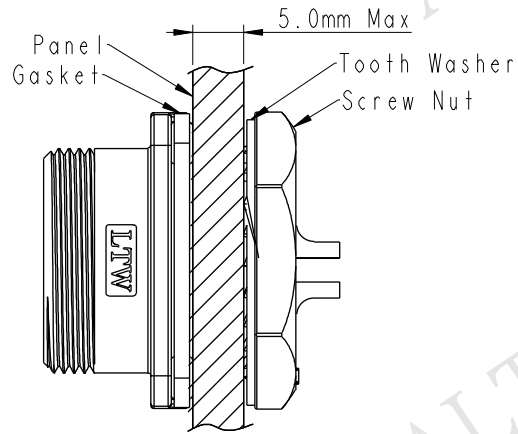


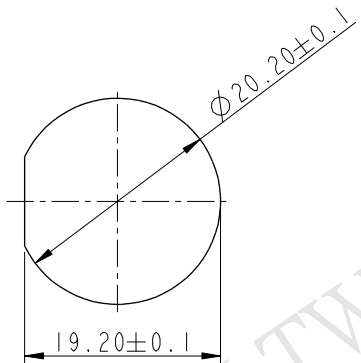
REV.	ECN NO.	DATE	SIGN	DESCRIPTION
A	Initial Release	2012/10/22	Ruru	LC20-03RMFS-SS8001 To LC20-03PMFS-SN8001
B	LE31650231	2016/05/04	Vicky	Update Note



Assembly Instruction



- Note:**
- * \varnothing Important Dimension.
 - * Waterproof Rate: IP68
IP68: 1M depth of water in 24 Hrs.
(防水等級: IP68)
IP68: 水深一米測試 24 小時
 - * Shell: Zinc Alloy#3, Ni Plated, Silver.
 - * Insulation: Nylon, Black
 - * Female Pin: Copper Alloy, Silver Plated
 - * Gasket: Silicone, Gray
 - * Recommended Panel Thickness 5.0mm(Max).



Recommend Panel Cut-Out

UNIT: mm		
TOLERANCE	.X	±0.25
	.XX	±0.1
	.XXX	±0.05
ANGLES		±1°

TITLE PANEL NUT 3PIN M CONN F PIN			
SCALE	SIZE	SHEET	OF
1:1	A4	1	1
REV.	WC-REV.	QC: Inspection item	
B	A.2		

Amphenol LTW
安費諾亮泰企業股份有限公司

ITEM NO.	LC20-03PMFS-SN8001	DRAWN BY	Vicky	DATE	2016-05-04
DWG NO.	LC20-03PMFS-SN8001	CHECKED BY	Rita	DATE	2016-05-04
CUSTOMER	ALTW	APPROVED BY	Lisa	DATE	2016-05-04

THIS DOCUMENT IS SUBJECT TO CHANGE WITHOUT NOTICE. IT IS CONFIDENTIAL AND A PROPERTY OF Amphenol LTW. DISCLOSURE TO THIRD PARTY HAS TO BE AUTHORIZED BY Amphenol LTW.