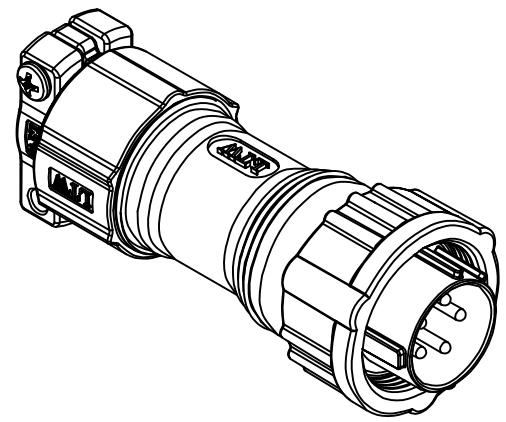
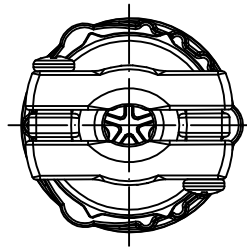
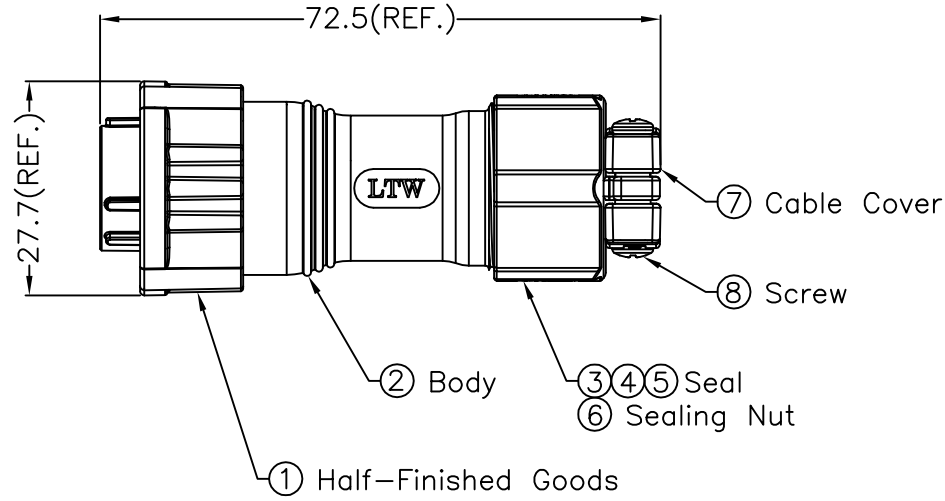
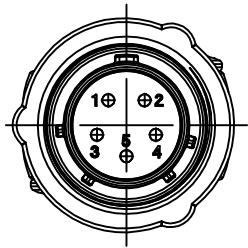


REV.	ECN NO.	DATE	SIGN	DESCRIPTION
A	Initial Release	2010/04/22	Jessie	Form Rev.03 To A

ALTW  
CONFIDENTIAL  
2010.04.22  
R&D DEPT.



ALTW  
DCC. DEPT.  
CONFIDENTIAL  
2010.06.09  
ISSUED

- Note:
- \* @C Important Dimension
  - \* Waterproof Rate: IP68  
IP68: 1M depth of water in 24 Hrs.  
( 防水等級：IP68 )  
IP68：水深一米測試 24 小時
  - \* Cable OD:  $\phi 5.5\text{mm} \sim \phi 12.5\text{mm}$
  - \* Gasket: Silicone ,Gray
  - \* Shell: Zinc Alloy ,Electrodeposition Coating,Black.
  - \* Male Pin: Copper Alloy ,Gold Plated
  - \* Insulation: Nylon ,Black
  - ⑨ \* One Set Assembled in one PE Bag.

UNIT:mm		TITLE Circular II Series 5 Pin Assy	<b>Amphenol LTW</b> 安費諾亮泰企業股份有限公司		ITEM NO HB20-05BFMA-SL8001	DRAWN BY Jessie	DATE 2010/04/22
TOLERANCE .X ±0.25 .XX ±0.1 .XXX ±0.05 ANGLES ±1°	SCALE Free	SHEET 1 OF 1	REV. A		DWG NO HB20-05BFMA-SL8001	CHECKED BY Jimmy	DATE 2010/05/12
	SIZE A4	@C :Inspection Item	CUSTOMER ALTW		APPROVED BY Win	DATE 2010/05/12	8 FMW0702-01-01A2

THIS DOCUMENT IS SUBJECT TO CHANGE WITHOUT NOTICE. IT IS CONFIDENTIAL AND A PROPERTY OF Amphenol LTW. DISCLOSURE TO THIRD PARTY HAS TO BE AUTHORIZED BY Amphenol LTW.