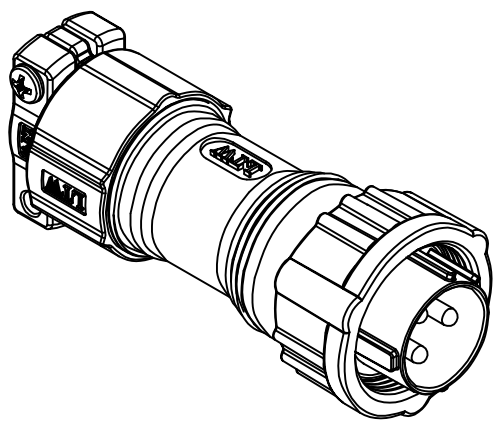
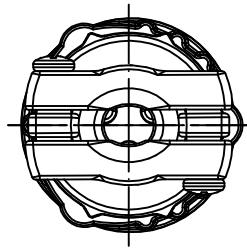
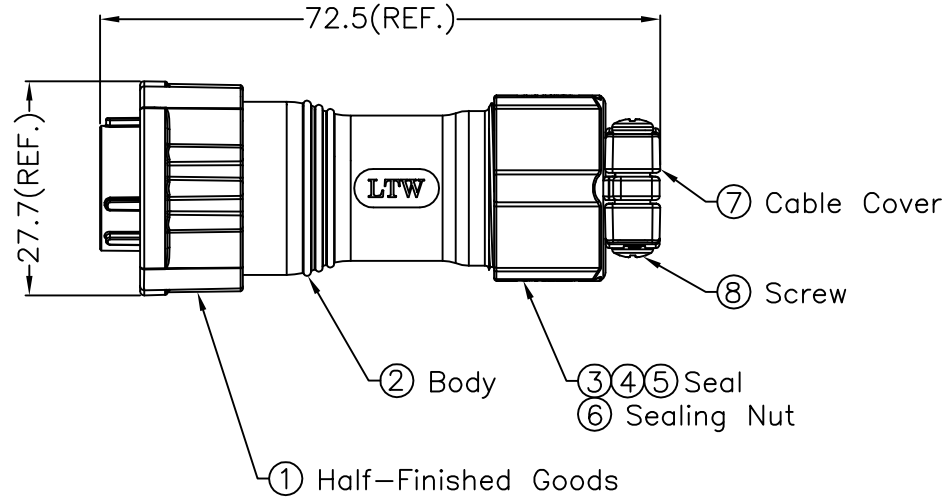
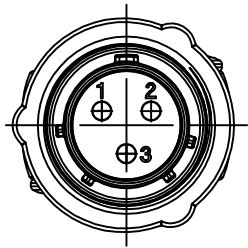


5	6	7	8
REV. A	ECN NO. Initial Release	DATE 2010/04/22	SIGN Jessie
			DESCRIPTION Form Rev.03 To A

ALTW
CONFIDENTIAL
2010.04.22
R&D DEPT.



ALTW
DCC. DEPT.
CONFIDENTIAL
2010.06.09
ISSUED

- Note:
- * @ Important Dimension.
 - * Waterproof Rate: IP68.
IP68: 1M depth of water in 24 Hrs.
(防水等級: IP68)
IP68: 水深一米測試 24 小時
 - * Cable OD: $\phi 5.5\text{mm} \sim \phi 12.5\text{mm}$
 - * Gasket: Silicone ,Gray.
 - * Shell: Zinc Alloy ,Electrodeposition Coating,Black.
 - * Male Pin: Copper Alloy ,Gold Plated.
 - * Insulation: Nylon ,Black.
 - ⑨ * One Set Assembled in one PE Bag.

UNIT:mm	
TOLERANCE	
.X	± 0.25
.XX	± 0.1
.XXX	± 0.05
ANGLES	$\pm 1^\circ$

TITLE Circular II Series 3 Pin Assy	
SCALE Free	SHEET 1 OF 1
REV. A	SIZE A4
⑨ :Inspection Item	

Amphenol LTW
安費諾亮泰企業股份有限公司

ITEM NO HC20-03BFMA-SL8001	DRAWN BY Jessie	DATE 2010/04/22
DWG NO HC20-03BFMA-SL8001	CHECKED BY Jimmy	DATE 2010/05/12
CUSTOMER ALTW	APPROVED BY Win	DATE 2010/05/12

DATE 2010/04/22	DATE 2010/05/12	DATE 2010/05/12
--------------------	--------------------	--------------------

THIS DOCUMENT IS SUBJECT TO CHANGE WITHOUT NOTICE. IT IS CONFIDENTIAL AND A PROPERTY OF Amphenol LTW. DISCLOSURE TO THIRD PARTY HAS TO BE AUTHORIZED BY Amphenol LTW.