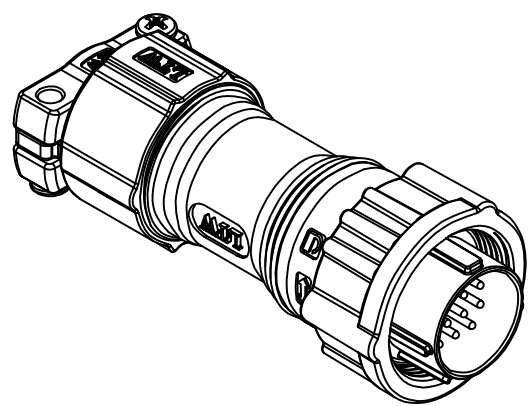
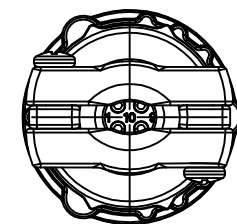
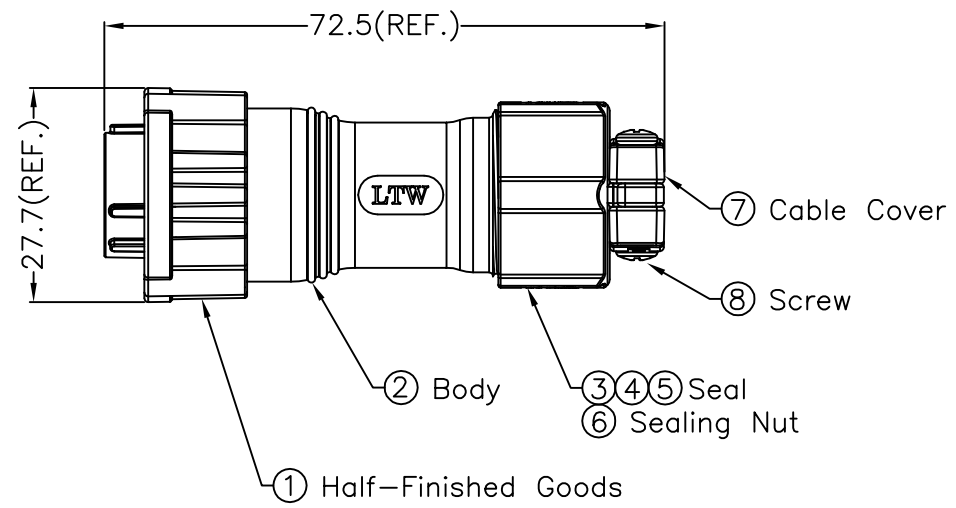
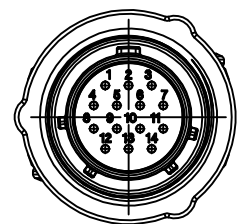


| | | | |
|--------|-------------------------|-----------------|------------------------------|
| 5 | 6 | 7 | 8 |
| REV. A | ECN NO. Initial Release | DATE 2010/03/17 | SIGN Jessie |
| B | LE3-060091 | 2010/05/26 | Jessie |
| | | | Modify Note and Shell Plated |

ALTW
CONFIDENTIAL
2010.05.26
R&D DEPT.



ALTW
DCC. DEPT.
CONFIDENTIAL
2010.06.10
ISSUED

Note:

- * @C Important Dimension.
- * Waterproof Rate: IP68.
- △ IP68: 1M depth of water in 24 Hrs.
(防水等級: IP68)
IP68: 水深一米測試 24 小時.
- * Cable OD: $\phi 5.5\text{mm} \sim \phi 12.5\text{mm}$.
- * Gasket: Silicone ,Gray.
- △ * Shell: Zinc Alloy ,Ni Plated ,Silver.
- * Male Pin: Copper Alloy ,Silver Plated.
- * Insulation: Nylon ,Black.
- ⑨ * One Set Assembled in one PE Bag.

| | | |
|---|---------------|---|
| UNIT:mm | | TITLE Circular II Series 14 Pin Assy |
| TOLERANCE .X ±0.25 .XX ±0.1 .XXX ±0.05 ANGLES ±1° | SCALE Free | SHEET 1 OF 1 |
| REV. B | SIZE A4 | ⑨ :Inspection Item |

Amphenol LTW
安費諾亮泰企業股份有限公司

| | | |
|-------------------------------|---------------------|--------------------|
| ITEM NO LD20-14BFMA-SL8001 | DRAWN BY Jessie | DATE 2010/05/26 |
| DWG NO LD20-14BFMA-SL8001 | CHECKED BY Jimmy | DATE 2010/05/27 |
| CUSTOMER ALTW | APPROVED BY Win | DATE 2010/06/01 |

THIS DOCUMENT IS SUBJECT TO CHANGE WITHOUT NOTICE. IT IS CONFIDENTIAL AND A PROPERTY OF Amphenol LTW. DISCLOSURE TO THIRD PARTY HAS TO BE AUTHORIZED BY Amphenol LTW.