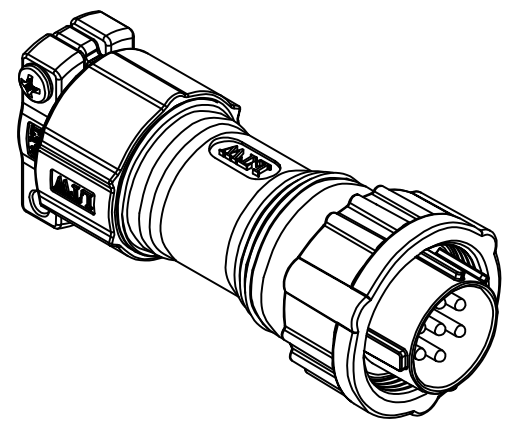
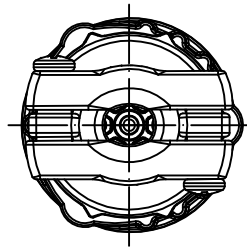
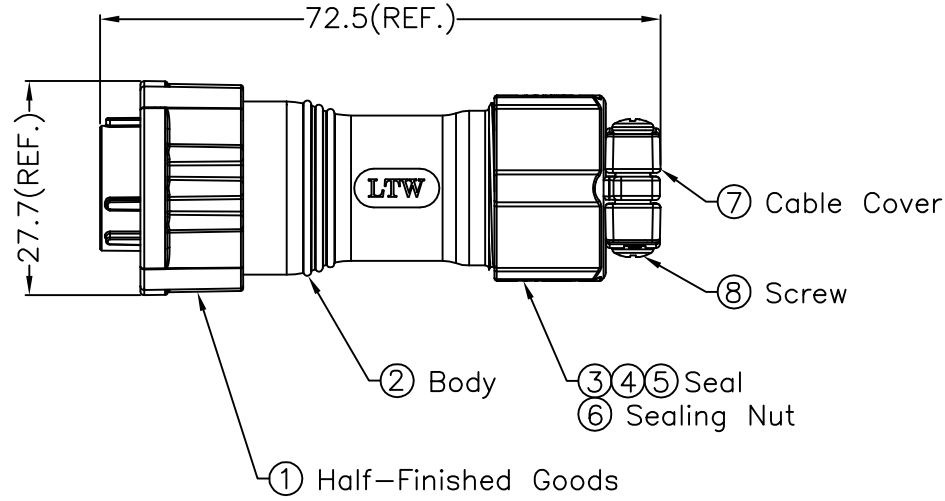
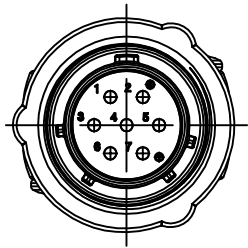


REV.	ECN NO.	DATE	SIGN	DESCRIPTION	
A		Initial Release	2010/03/16	Jessie	Form Rev.03 To A
B	LE3-060088	2010/05/26	Jessie	Modify Note and Shell Plated	

ALTW  
CONFIDENTIAL  
2010.05.26  
R&D DEPT.



ALTW  
DCC. DEPT.  
CONFIDENTIAL  
2010.06.10  
ISSUED

Note:

- \* @C Important Dimension.
- \* Waterproof Rate: IP68.
- △ IP68: 1M depth of water in 24 Hrs.  
(防水等級: IP68)  
IP68: 水深一米測試 24 小時 .
- \* Cable OD:  $\phi 5.5\text{mm} \sim \phi 12.5\text{mm}$ .
- \* Gasket: Silicone ,Gray.
- △ \* Shell: Zinc Alloy ,Ni Plated ,Silver.
- \* Male Pin: Copper Alloy ,Silver Plated.
- \* Insulation: Nylon ,Black.
- ⑨ \* One Set Assembled in one PE Bag.

UNIT:mm		TITLE Circular II Series 7 Pin Assy	<b>Amphenol LTW</b> 安費諾亮泰企業股份有限公司		ITEM NO LB20-07BFMA-SL8001	DRAWN BY Jessie	DATE 2010/05/26
TOLERANCE .X ±0.25 .XX ±0.1 .XXX ±0.05 ANGLES ±1°	SCALE Free	SHEET 1 OF 1	REV. B	SIZE A4	DWG NO LB20-07BFMA-SL8001	CHECKED BY Jimmy	DATE 2010/05/27
		@C :Inspection Item			CUSTOMER ALTW	APPROVED BY Win	DATE 2010/06/01

THIS DOCUMENT IS SUBJECT TO CHANGE WITHOUT NOTICE. IT IS CONFIDENTIAL AND A PROPERTY OF Amphenol LTW. DISCLOSURE TO THIRD PARTY HAS TO BE AUTHORIZED BY Amphenol LTW.