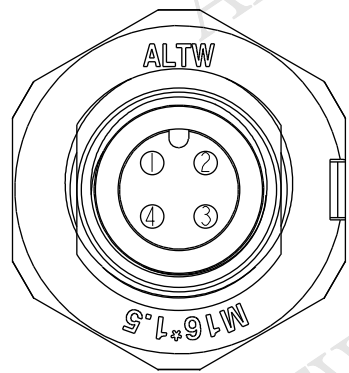
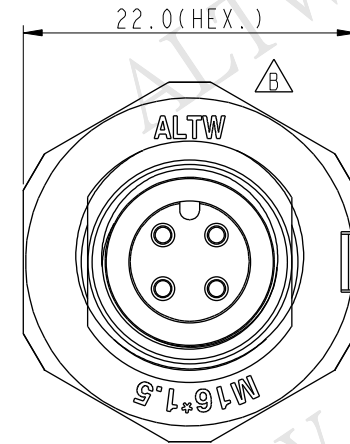
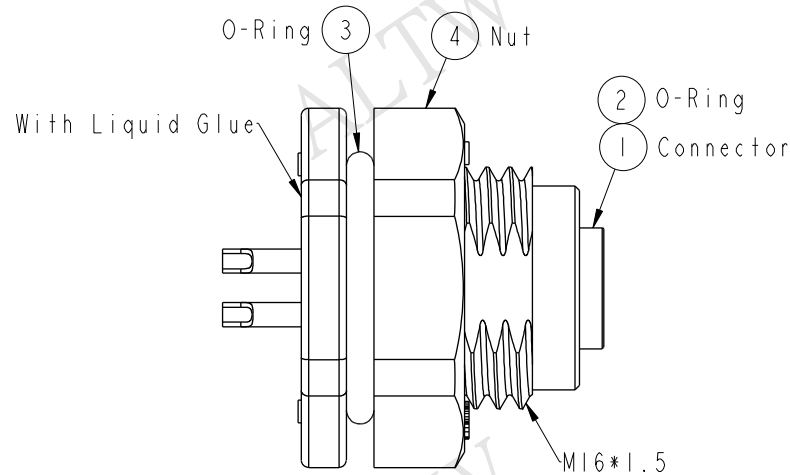
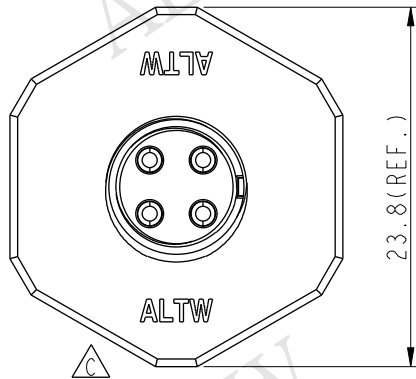
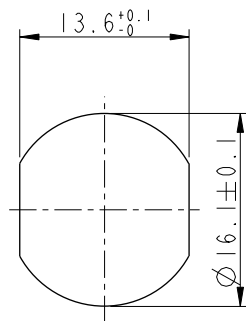




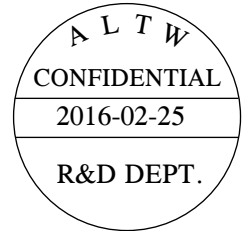
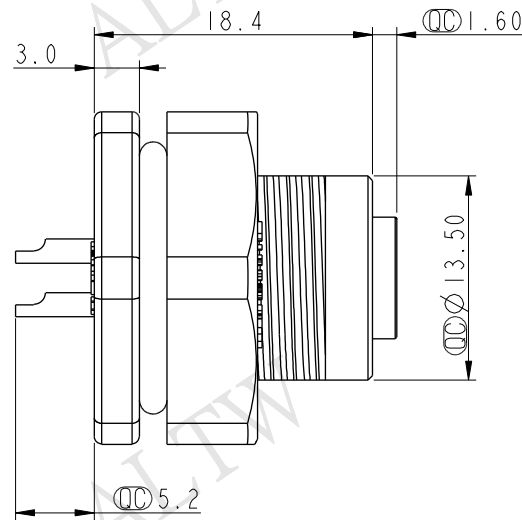
REV.	ECN NO.	DATE	SIGN	DESCRIPTION
A	Initial Release	2010/09/14	Rex	Change Rev.01 To Rev.A
B	LEN1570012	2015/05/12	Ruru	Change Logo
C	LEN1630070	2016/02/25	Ruru	Change Logo



Pin Assignment  
Front View

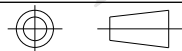


Recommended Panel Cut-Out



- Note:
- \*  $\text{⌀}$  Important Dimension To Check.
  - \* Waterproof Rate: IP68(水深 1 米, 24hrs)
  - \* Connector: Nylon+GF, 94V-0, Black
  - \* Female Pin: Copper Alloy, Gold Plated
  - \* Shield: Nylon+GF, 94V-0, Black
  - \* Nut: Nylon+GF, 94V-0, Black
  - \* O-Ring(Inner): Silicone, Gray, 94V-0
  - \* O-Ring(Outer): Silicone, Gray, 94V-0
  - \* For Panel Thickness Max 4.0mm

UNIT:mm



TOLERANCE  
.X ±0.25  
.XX ±0.1  
.XXX ±0.05  
ANGLES ±1°

TITLE M12 CONN, SOLDER PANEL SCREW 4PIN F CONN F PIN			
SCALE 2:1	SIZE A4	SHEET 1 OF 1	
REV. C	WC-REV. A.5	$\text{⌀}$ : Inspection item	

**Amphenol LTW**  
安費諾亮泰企業股份有限公司

ITEM NO 12P-04PFFS-SF8001	DRAWN BY Ruru	DATE 2016-02-25
DWG NO 12P-04PFFS-SF8001	CHECKED BY Rita	DATE 2016-02-25
CUSTOMER ALTW	APPROVED BY Lisa	DATE 2016-02-25

THIS DOCUMENT IS SUBJECT TO CHANGE WITHOUT NOTICE. IT IS CONFIDENTIAL AND A PROPERTY OF Amphenol LTW. DISCLOSURE TO THIRD PARTY HAS TO BE AUTHORIZED BY Amphenol LTW.