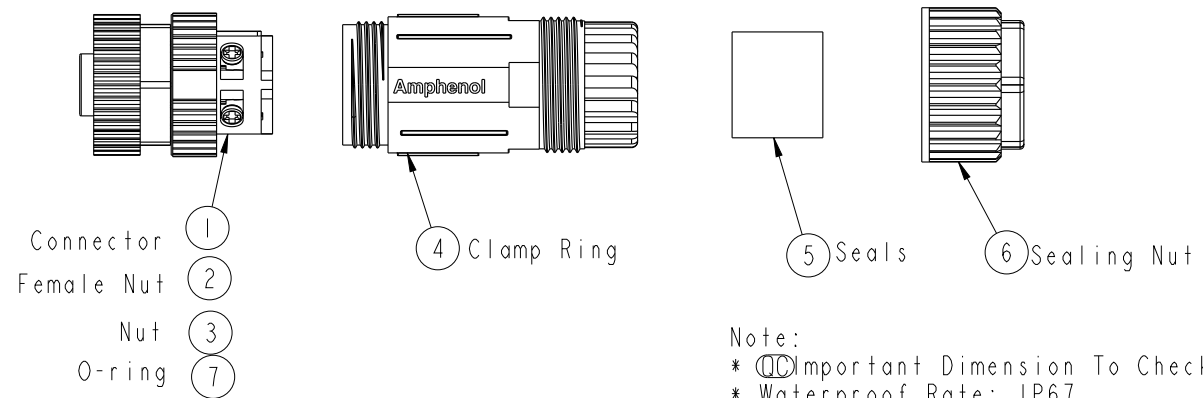


THIS DOCUMENT IS SUBJECT TO CHANGE WITHOUT NOTICE. IT IS CONFIDENTIAL AND A PROPERTY OF Amphenol LTW. DISCLOSURE TO THIRD PARTY HAS TO BE AUTHORIZED BY Amphenol LTW.

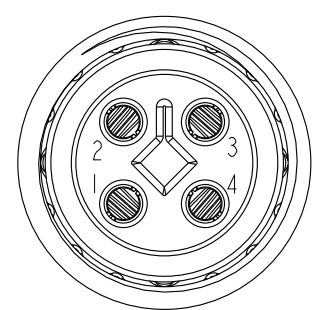
REV.	ECN NO.	DATE	SIGN	DESCRIPTION
A	Initial Release	2015-03-26	Cary	Change Rev. 01 to Rev.A

ALTW
CONFIDENTIAL
 2015-03-26
R&D DEPT.

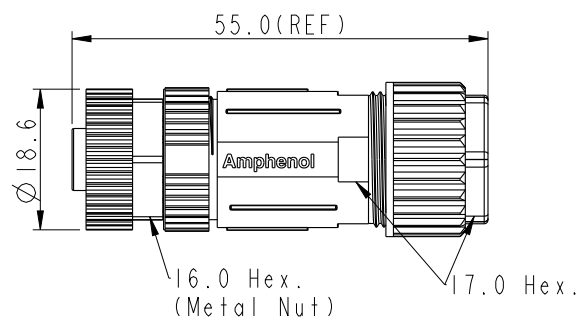
ALTW
 DCC. DEPT.
CONFIDENTIAL
 2015.05.21
ISSUED



- Note:
- * \varnothing Important Dimension To Check.
 - * Waterproof Rate: IP67
 - * Housing: Nylon,UL94V-0,Black
 - * Female Pin: Copper Alloy, Gold Plated
 - * Female Nut: Zinc Alloy, Nickel Plated
 - * O-Ring: Silicon,UL94V-0,Gray
 - * Clamp Ring: Nylon,UL94V-0,Black
 - * Sealing Nut: PBT+PC,UL94V-0,Black
 - * Seals: Silicon,UL94V-0,Gray
 - * Rated Voltage: 60V DC.
 - * Rated Current at 40°C: 12A
 - * Operation Temperature: -40~105°C.
 - * Seal For Cable Range OD: \varnothing 8.0mm~ \varnothing 10.0mm, 16AWG
 - * Screws for Wire connection recommended tightening torque: 0.61~0.84 kgf.cm / 0.059~0.082 N.m
 - * Applicable Wire gauge (Stranded wire cross section) 0.52mm² (20AWG) ~ 1.31mm² (16AWG)
 - * Mating Recommended tightening torque: 3~4 kgf.cm / 0.29~0.39 N.m
 - * Sealing-Nut Recommended tightening torque: 4~6 kgf.cm / 0.39~0.59 N.m
 - * Detailed applicable wire specifications may vary depending on the actual wire construction.



Pin Assignments
Front View



UNIT:mm TOLERANCE .X ±0.25 .XX ±0.1 .XXX ±0.05 ANGLES ±1°	TITLE M12 T Code 4Pin F Conn. ASSY		Amphenol LTW 安費諾亮泰企業股份有限公司		ITEM NO M12T-04BFFB-SL7002	DRAWN BY Cary	DATE 2015-03-26
	SCALE 1:1	SIZE A4			SHEET 1 OF 1	DWG NO M12T-04BFFB-SL7002	CHECKED BY Lu Di
	REV. A	WC-REV. .0	\varnothing : Inspection item	CUSTOMER ALTW	APPROVED BY Jerry	DATE 2015-03-26	