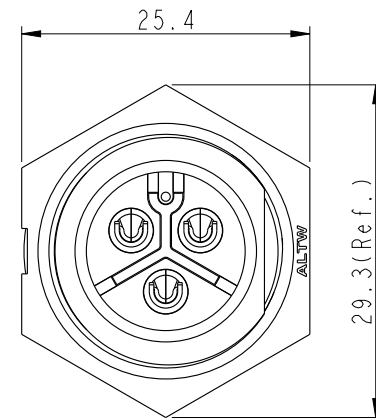
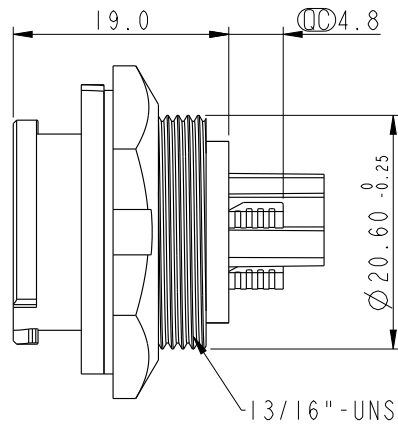
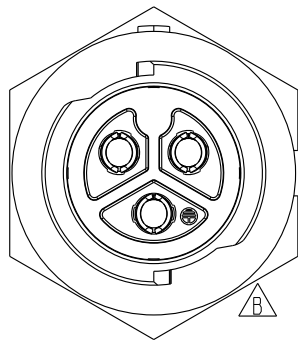
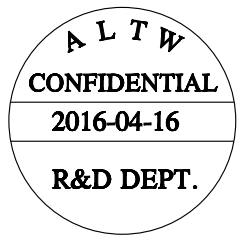
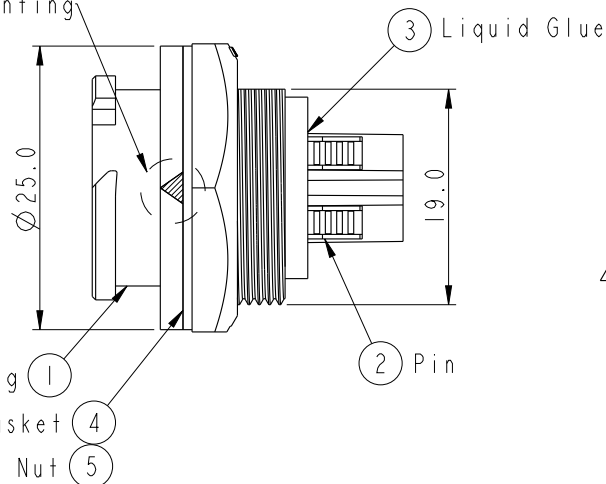


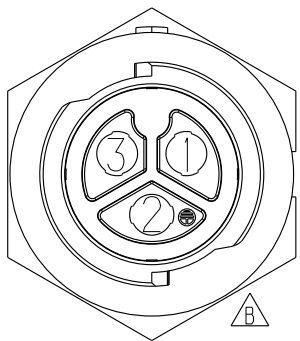
REV.	ECN NO.	DATE	SIGN	DESCRIPTION
B	LEN1650701	2016-04-16	Spring	Add ground pin



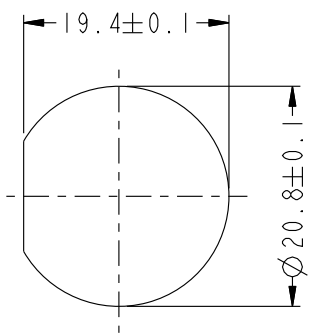
Ⓞ White Printing



- Note:
- * Ⓞ Important Dimension To Check.
 - * Waterproof Rate: IP68(1M/24hours)
 - * Working Voltage Rating: AC 300V
 - * Working Current Rating: Max. 20A
 - * Housing: Nylon+GF, Black
 - * Pin: Copper Alloy, Gold Plated
 - * Liquid Glue: Balck
 - * Gasket: Silicone, Gray
 - * Nut: Nylon+GF, Black
 - * Panel Thickness Max: 4.2mm

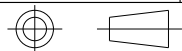


Pin Assignments
Front View



Recommended
Panel Cut-Out

UNIT:mm



TOLERANCE
.X ±0.25
.XX ±0.1
.XXX ±0.05
ANGLES ±1°

TITLE X-Lok C Size Receptacle Rear 3Pin 20A M Conn. F Pin			
SCALE 3:2	SIZE A4	SHEET 1 OF 1	
REV. B	WC-REV. A.2	Ⓞ: Inspection item	

Amphenol LTW
安費諾亮泰企業股份有限公司

ITEM NO. CC-03RMFS-OC8001	DRAWN BY Spring	DATE 2016-04-16
DWG NO. CC-03RMFS-OC8001	CHECKED BY Fisher	DATE 2016-04-16
CUSTOMER ALTW	APPROVED BY Kevin	DATE 2016-04-16

THIS DOCUMENT IS SUBJECT TO CHANGE WITHOUT NOTICE. IT IS CONFIDENTIAL AND A PROPERTY OF AMPHENOL LTW. DISCLOSURE TO THIRD PARTY HAS TO BE AUTHORIZED BY AMPHENOL LTW.