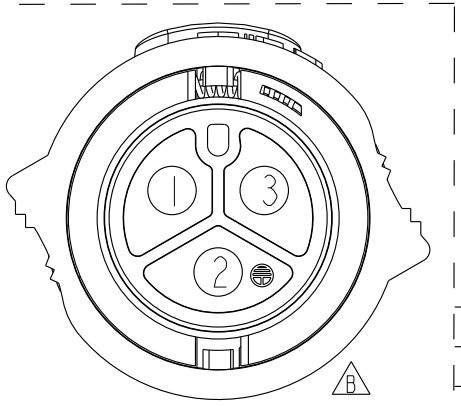
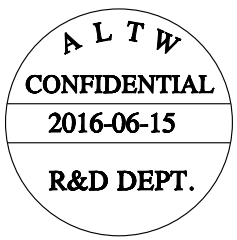
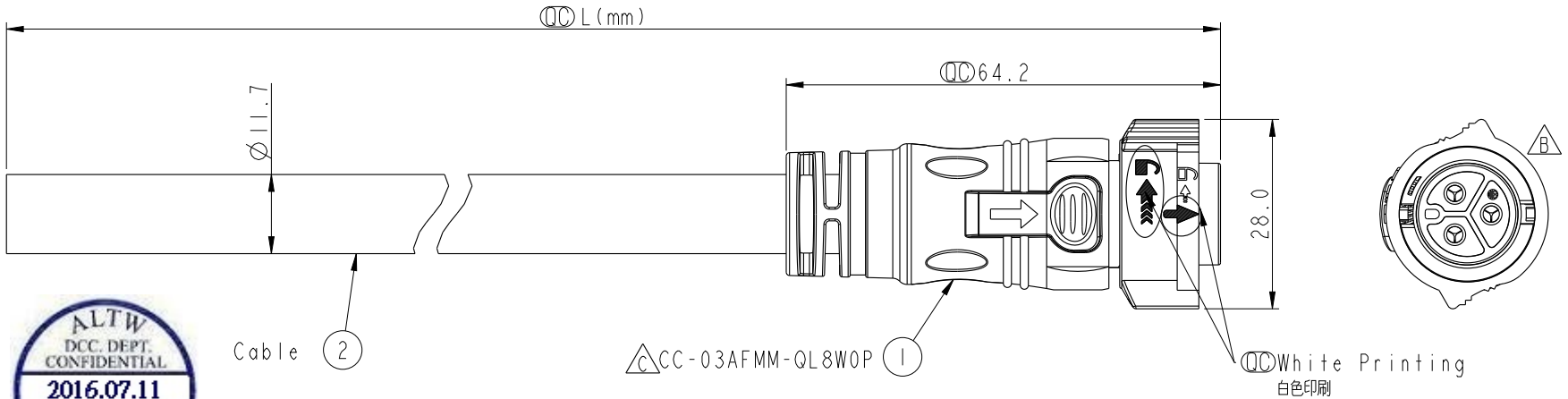


THIS DOCUMENT IS SUBJECT TO CHANGE WITHOUT NOTICE. IT IS CONFIDENTIAL AND A PROPERTY OF Amphenol LTW. DISCLOSURE TO THIRD PARTY HAS TO BE AUTHORIZED BY Amphenol LTW.

REV.	ECN NO.	DATE	SIGN	DESCRIPTION
B	LENI650706-07	2016-04-16	Spring	Add ground pin
C	LE31670039	2016-06-15	Tom_Gu	Change Part No. of Half Finished



Pin Assignments
Front View

3	White	白
2	Green	綠
1	Black	黑
Conn.	Wire Color	Pin Out

CC-03AFMM-QL8EXX

- XX: 01~99Meters
- 01: 01Meter
- 02: 02Meters
- ...
- 99: 99Meters

Note:

- * \varnothing Important Dimension To Check.
- * Working Voltage Rating: 300V AC
- * Working Current Rating: Max. 20A
- * Waterproof Rate: IP68. (Mated)
in 1 meter water within 24 hours
- * Connector: Nylon+GF, Black.
- * Pin: Copper Alloy, Glod & Ni Plated.
- * Lock Nut: Nylon+GF, Black.
- * Cable: SJTW 12WG*3C, Black,
PVC Jacket, OD=11.7mm.
- * Cable Length Tolerance: 01M:±40mm
02M~05M:±60mm
06M~10M:±100mm
11M~30M:±200mm
31M~99M:±500mm

UNIT:mm		
TOLERANCE	±0.5	

TITLE X Lok C-Size Cable 3 Pin 20A F Conn. M Pin			
SCALE 1:2	SIZE A4	SHEET 1 OF 1	
REV. C	WC-REV. A.1	\varnothing : Inspection item	

Amphenol LTW
安費諾亮泰企業股份有限公司

ITEM NO	DRAWN BY Tom_Gu	DATE 2016-06-15
DWG NO CC-03AFMM-QL8EXX	CHECKED BY Spring_Liu	DATE 2016-06-15
CUSTOMER ALTW	APPROVED BY Kevin_Hu	DATE 2016-06-15