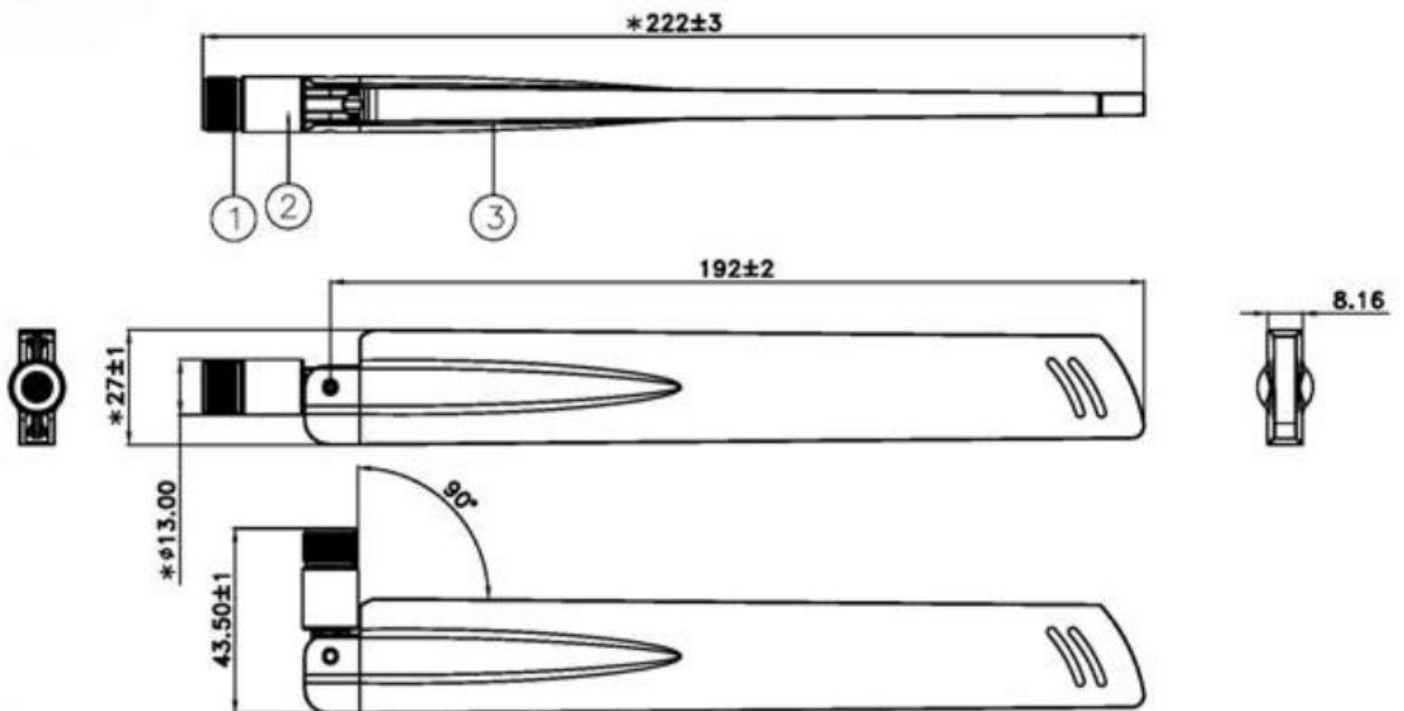


# SPECIFICATION

## 1、 PRODUCT PICTURE



## 2、SPECIFICATIONS

Item		Specifications
Part Number		GSM-ANT-LTE-R
Antenna	Frequency Range	698-960/1710-2700MHz
	Polarization	Linear
	Gain	5dBi (Zenith)
	V.S.W.R (min)	≤2.5
	Impedance	50 Ω
	Connector	SMA Male
Environmental	Operating Temperature	-40℃~+85℃
	Vibration	10 to 55Hz with 1.5mm amplitude 2hours
	Environmentally Friendly	ROHS Compliant

## 3. STATIONARY WAVE PATTERN (V.S.W.R)

