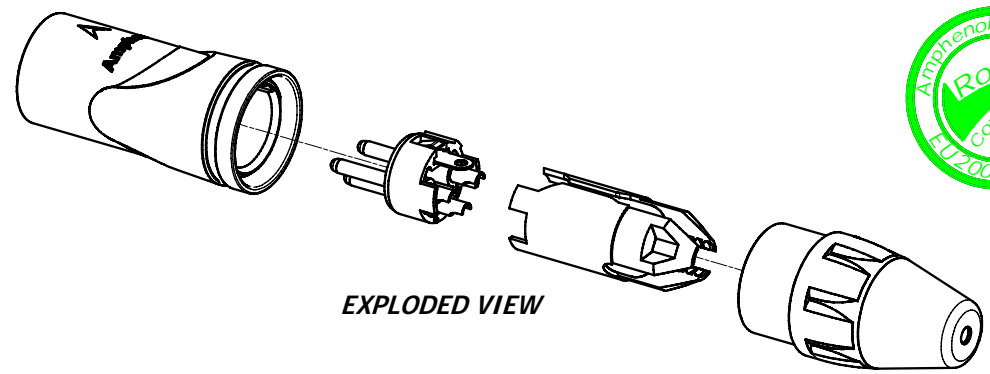
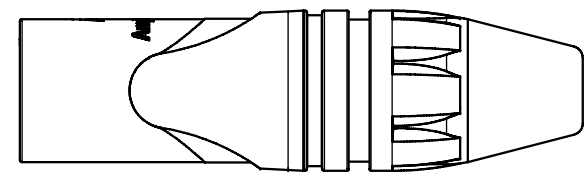
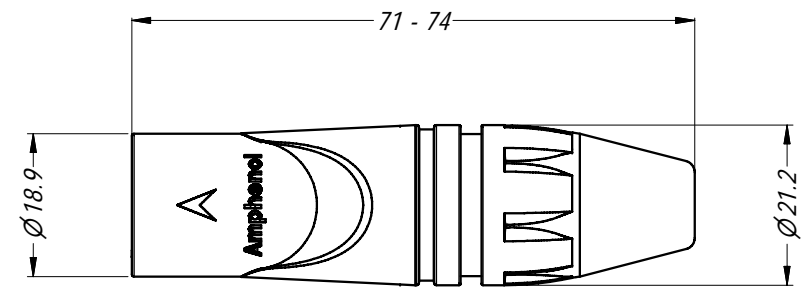
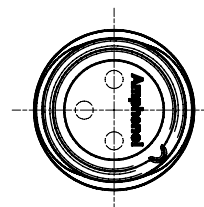


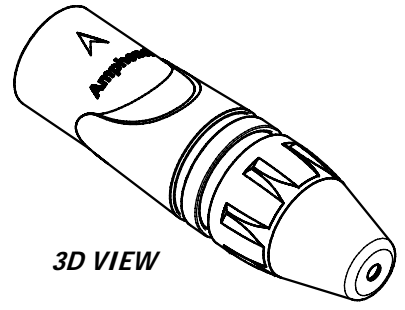
PART NUMBER BREAKDOWN

AX3MB1-AU BULK

<p>SERIES PREFIX AX3M = 3 PIN MALE AX4M = 4 PIN MALE AX5M = 5 PIN MALE</p>
<p>SHELL FINISH BLANK = NICKEL PLATED B = BLACK</p>
<p>SLEEVE COLOR BLANK = BLACK 1 = BROWN 2 = RED 3 = ORANGE 4 = YELLOW 5 = GREEN 6 = BLUE 7 = VIOLET 8 = GREY 9 = WHITE C = CLEAR</p>
<p>CONTACT PLATING BLANK = SILVER PLATE AU = GOLD PLATE</p>
<p>PACKAGING BLANK = INDIVIDUAL BAGS BULK = BULK PACKED</p>



EXPLODED VIEW



3D VIEW

<p>UNLESS OTHERWISE SPECIFIED TOLERANCE TO BE</p> <table border="1"> <thead> <tr> <th>LINEAR</th> <th>ANGULAR</th> </tr> </thead> <tbody> <tr> <td>X ± 0.5</td> <td>X° ± 1</td> </tr> <tr> <td>X.X ± 0.1</td> <td>X.X° ± 30°</td> </tr> <tr> <td>X.XX ± 0.05</td> <td>X.XX° ± 15°</td> </tr> </tbody> </table>		LINEAR	ANGULAR	X ± 0.5	X° ± 1	X.X ± 0.1	X.X° ± 30°	X.XX ± 0.05	X.XX° ± 15°	<p>THIS DOCUMENT IS THE PROPERTY OF AMPHENOL AUSTRALIA PTY. LTD. NO PART THEREOF MAY BE REPRODUCED AND USED WITHOUT THE PRIOR WRITTEN CONSENT OF THE OWNER</p>		<p>Amphenol Amphenol Australia Pty.Ltd, 2 Fiveways Blvd, Keysborough, VIC 3173</p>	
LINEAR	ANGULAR												
X ± 0.5	X° ± 1												
X.X ± 0.1	X.X° ± 30°												
X.XX ± 0.05	X.XX° ± 15°												
<p>MATERIAL: SEE COMPONENTS</p>		<p>DRN: T.N</p>	<p>DATE: 24/06/08</p>	<p>TITLE: XLR MALE PLUG AX SERIES CUSTOMER DRAWING</p>									
<p>BREAK ALL SHARP EDGES AND REMOVE ALL BURRS</p>		<p>CKD: P.M</p>	<p>DATE: 22/12/08</p>	<p>PART No: SEE P/No BREAKDOWN</p>									
<p>DO NOT SCALE</p>		<p>APP'D: P.M</p>	<p>DATE: 22/12/08</p>	<p>DRAWING NO. 55010534-000-2</p>	<p>SHEET 2/2</p>								
<p>DIMENSIONS IN MILLIMETRES</p>		<p>THIRD ANGLE PROJECTION</p>	<p>SCALE: 1:1</p>	<p>SIZE: A4</p>	<p>CAD FILE: 55010534000210</p>								