

REV	EC.N NO.	CONTENT	CHK	DATE
V0.0	新增		ZCP	2016.11.24

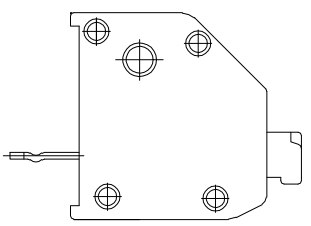
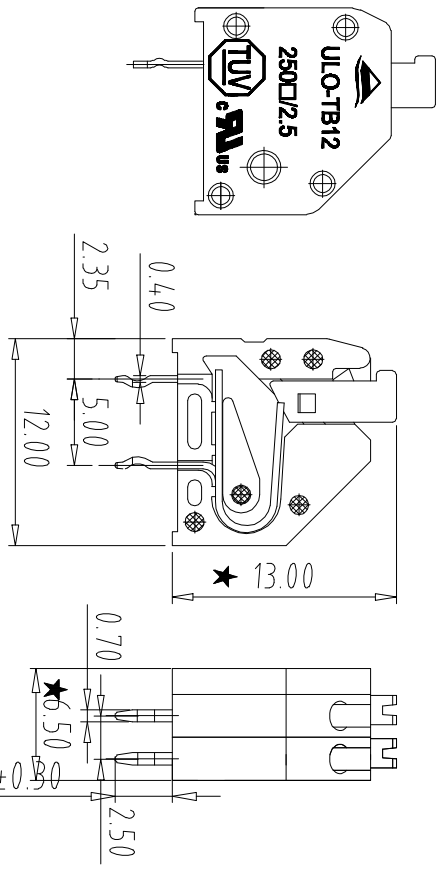
NOTES:

- Rating: 250V/2A
<IEC> 250V/2A
- Poles:06P
- Insulation Withstands Voltage: AC2000V/1 Min
- Insulation Resistance: 500M Ω at DC500V
- Using Temperature Range: -40°C/+115°C
- Max soldering : +250° for SS
- RoHS Compliance
- Suitable Electric Wire:24-20AWG(U) 0.2-0.5mm² (IEC)
- With" ★ "is important dimension

How to order

UL0-TB12 - 250A/2.5 - 02P - 1 0 0 0A

Certificate Factory poles color: Customer requirements
 Series NO. Code
 1:Grey
 2:Blue
 3:Black
 4:Green
 5:Orange
 6:Red
 7:transparent
 8:Yellow
 9:White



Total Pitch Tolerances		Nominal dimension range																		
in mm		in mm																		
over	over	over	over	over	over	over	over	over	over	over	over	over	over	over	over	over	over	over	over	
0	30	53	70	90	115	150	200	250	0	30	53	70	90	115	150	200	250	0	over	
to	to	to	to	to	to	to	to	to	to	to	to	to	to	to	to	to	to	to	to	
30	53	70	90	115	150	200	250	320	30	53	70	90	115	150	200	250	320	10	all	
±0.18	±0.20	±0.25	±0.3	±0.35	±0.44	±0.55	±0.70	±0.75	±0.20	±0.25	±0.30	±0.35	±0.44	±0.55	±0.70	±0.80	±0.90	0.2	0.3	0.3
6	6	6	6	6	6	6	6	6	5	5	5	5	5	5	5	5	5	4	4	4

5	SHORT-PIN	300IB0020	N/2	Phosphor bronze	Tin Plated
4	LONG-PIN	300IB0010	N/2	Phosphor bronze	Tin Plated
3	LEVER	300ID0Y00A	N	PA66	UL94V-0
2	Cover	300IC0Y00A	1	PA66	UL94V-0
1	Housing	300IA0YXXA	N	PA66	UL94V-0
ITEM	NAME OF PART	NO. OF PART	Q-TY	MATERIAL	NOTE
DWG.	Liu Lidan	19.09.12	UNITS	MM	SHEET/OF 1/1
CHK.	DATE	SCALE	1:1	A4	
APP.	DATE	NAME	UL0-TB12-250A/2.5-02P-1000A		
<p>NINGBO UL0 ELECTRONICS CO.,LTD. 宁波欧路电子有限公司</p>					
DWGNO	UL0TB12Y000A				1