



Features :

- ★ Made in Taiwan
- ★ FHD 1920x1080
- ★ Wide Viewing Angle 178° /178°
- ★ Brightness Options : 350/700/1000 nits
- ★ Touchscreen options : IR/SAW
- ★ Display Connector Options : VGA/DVI/HDMIx2
- ★ Metal Enclosed Cabinet
- ★ Open-frame Brackets
- ★ Wall Mount Bracket
- ★ Cart / Kiosk Stand
- ★ Splash Proof, Vandal Proof, AG/AR/AFP Options
- ★ **Auto Play the video via USB Pendrive. (PC free!)**

Display Specification

Model No.	NTI420	Resolution	1920x1080 (FHD)
Screen Diagonal	42.02 inch	Brightness	350 nits (optional)
Active Area	930.24x523.26 mm	Contrast Ratio	3000:1
Pixel Pitch	0.4845x0.4845 mm	Viewing Angle (L/R)	178° (CR=10)
Display Color	16.7M Color	Viewing Angle (U/D)	178° (CR=10)
Display Ratio	16:9	Response Time	6.5 msec
Backlight Unit	LED	Surface Treatment	Anti-Glare, Haze=2%
Operating Temp.	0-50°C		

General Specification

Speaker	6Wx2	Power supply	AC 100~240V
Housing Material	Galvanized Steel (SECC)	Control	OSD / Remote Control
Dimension	1047x602x77 mm	Net Weight	23 KG (w/o touch)
Display Connectors	VGAx1 , DVIX1 , HDMIx2 , USB input(Pendrive) x1		

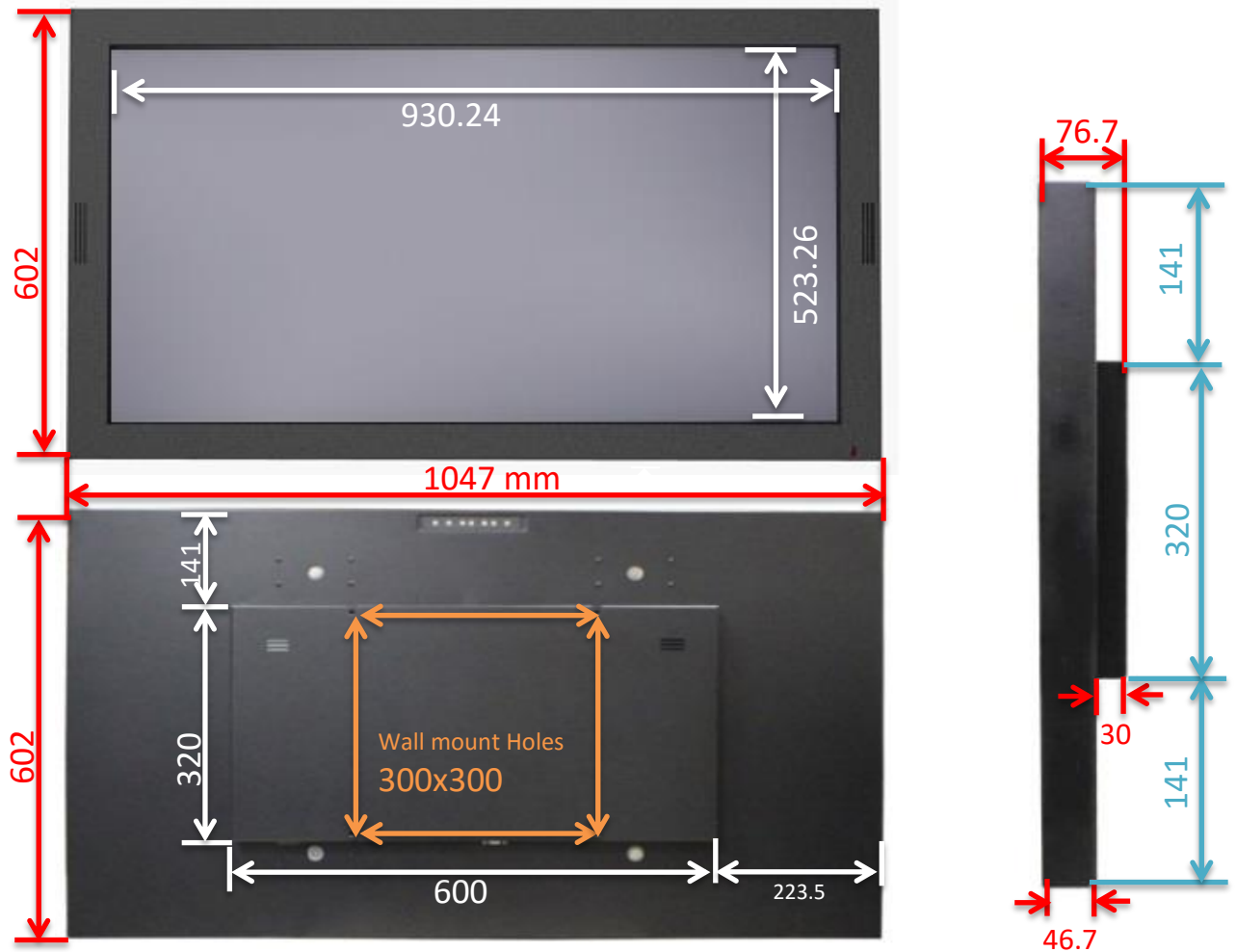
Touchscreen Options.

Type	Model No.
No touch	NTI4200XXXXXX
I.R	NT420IXXXXXX
S.A.W	NTI420SXXXXXX

Touchscreen Specification

Type	Touch Points	Transparency	Precision	Hardness	N.Weight	Interface
I.R	10	≥92%	2.5mm ±10%	≥7H	28 KG	USB
S.A.W	1	≥92%	2mm ±10%	≥7H	27.5 KG	USB

Dimemnsion



USB Multimedia Playback Format

Movie	.avi .mpg .dat .vob .mov .mkv .rm .rmvb .mp4 .mjpeg .ts .trp .asf .flv
Picture	.jpg .bmp .png .tiff .gif
Music	.mp3 .ogg .aac .wav.

Note :

1. Touch function and pendrive auto play function can't work at the same time.
2. Touch function requires a PC or an android/linux device.
3. Pendrive auto play function requires an USB pen-drive. (without PC)

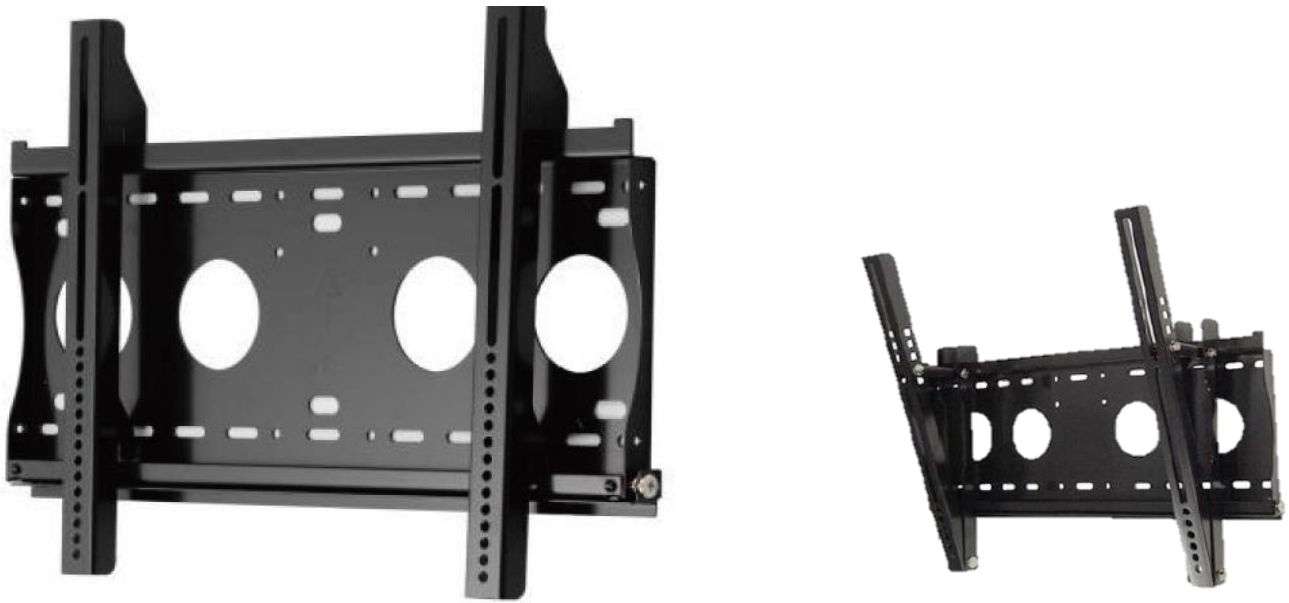
Brightness Options

Brightness	Model No.
(Standard) 350nits	NTI420XXXXNXX
700 nits	NTI420XXXX7XX
1000 nits	NTI420XXXXAXX

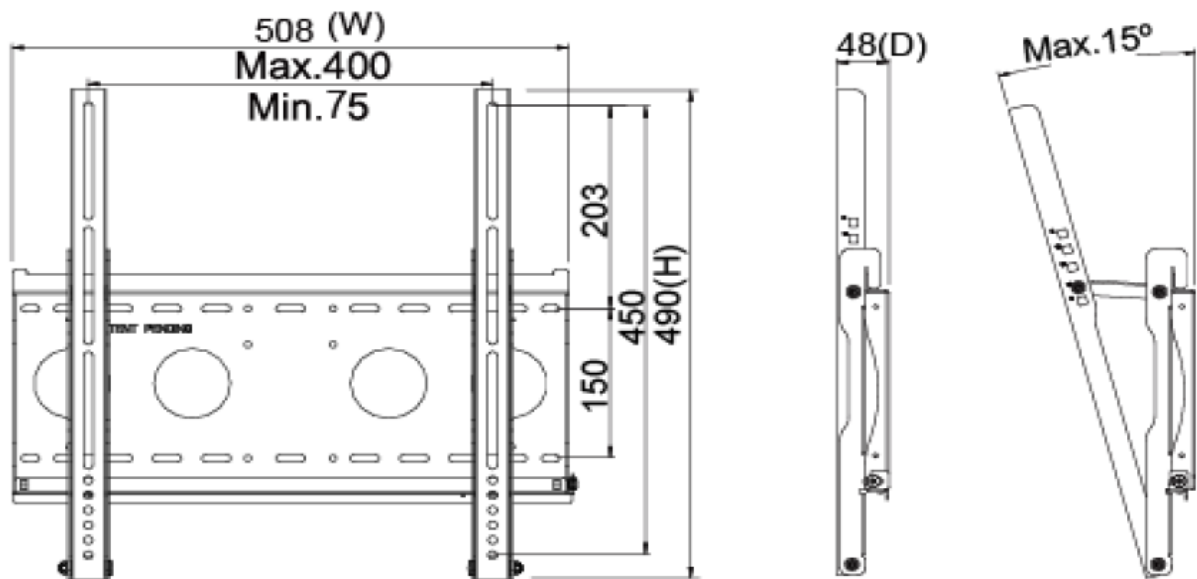
Other Customization Options

Surface Film : AR Tempered Glass	Color : Any Color (requires MOQ 50+)
Vandal Proof : Tempered Glass Hardness 7H	Splash Proof : IP 65 Compliant Front Panel

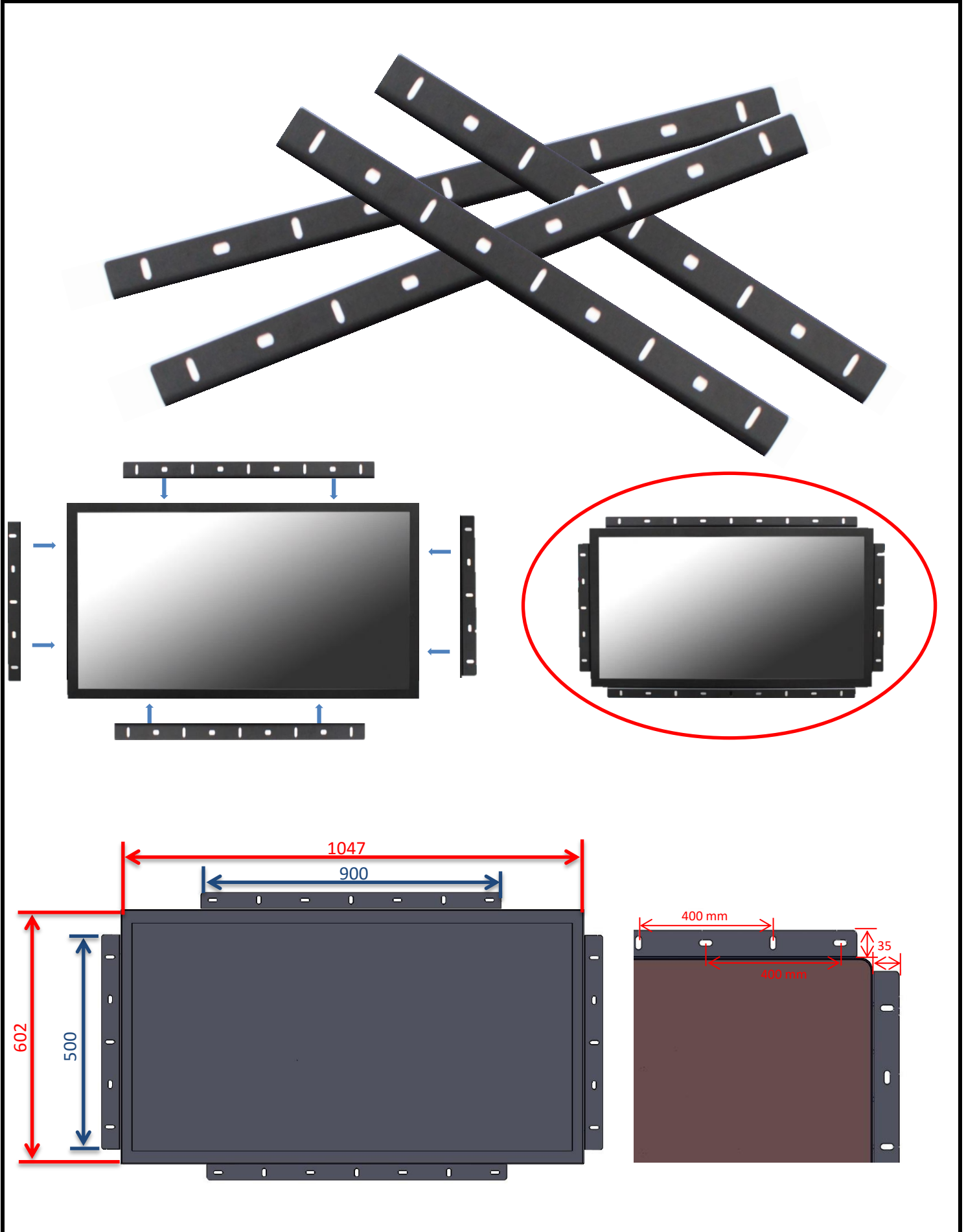
Optional Accessories (Wall Mount Bracket)



		Part No.	P1SR2-01
Mounting Pattern	Max. 400x450 mm	Dimension (WxHxD)	508x490x48 mm
Material	SECC	Net Weight	4.01 KG
Tilt(Hinge)	0°/5°/10°/13°/15°	Support Max. Weight	80 KG
Screw Type	M4/M5/M6/M8	Min. Distance To The Wall	48 mm



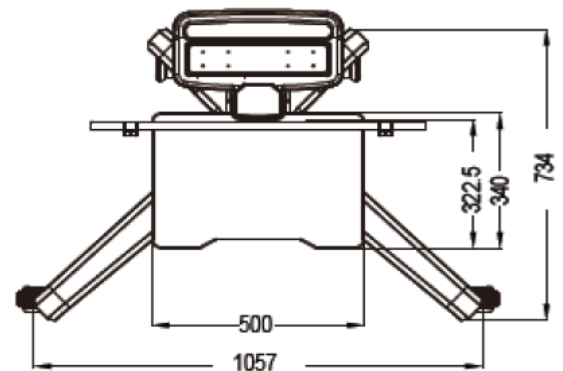
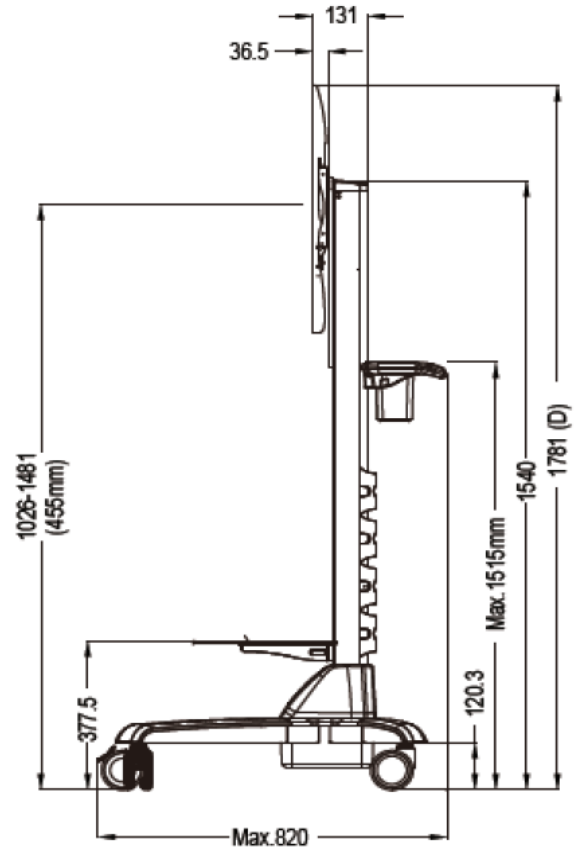
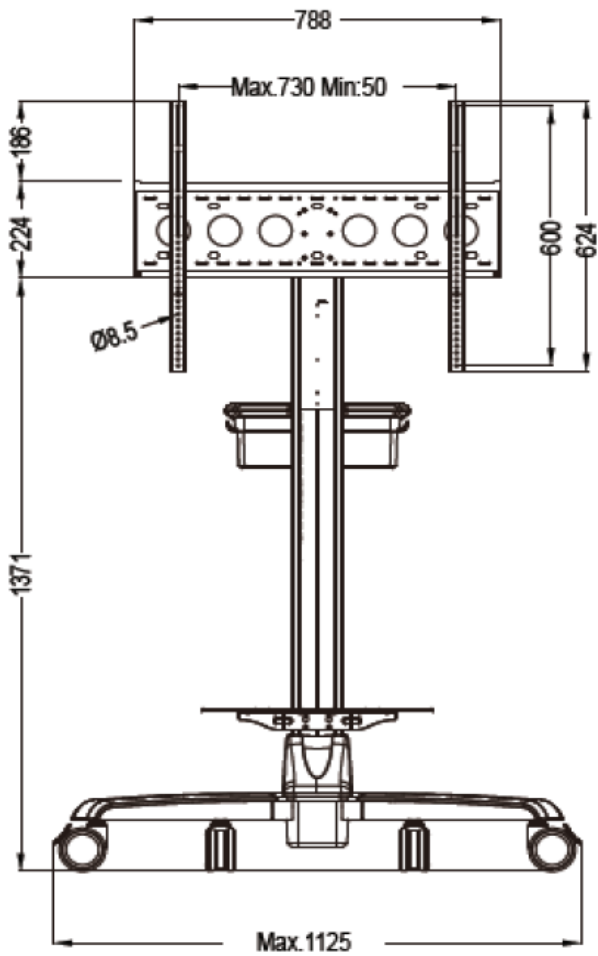
Optional Accessories (Open-frame Brackets)



Optional Accessories (Open-frame Brackets)



Part No.	P1SS5-3
Net Weight	29 KG
Packaged Dimension	W1545xD383xH392 mm
Screw Type	M4/M5/M6/M8
Material	Alumimum /Plastic/Steel
Max. Mount Pattern	700x600mm
Max. Weight Load	35 KG
Caster	4 (front 2 bracking)
Height Adjust Range	500 mm
RoHS/REACH Compliance	Yes



Optional Accessories (Kiosk Stand)

