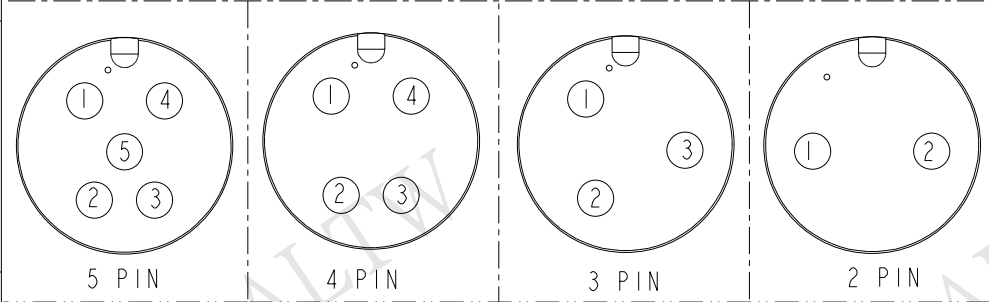
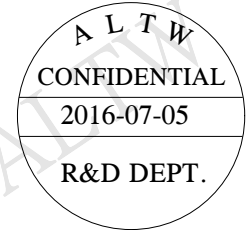
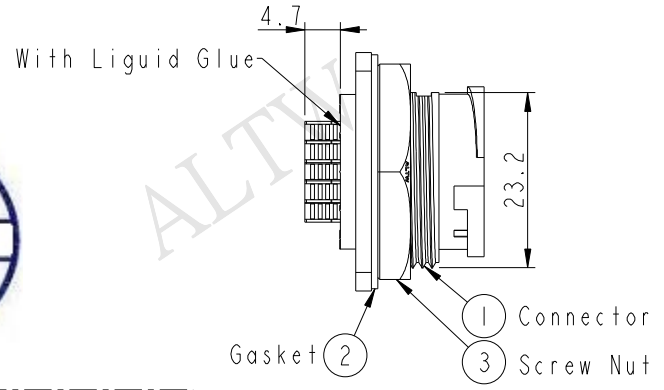
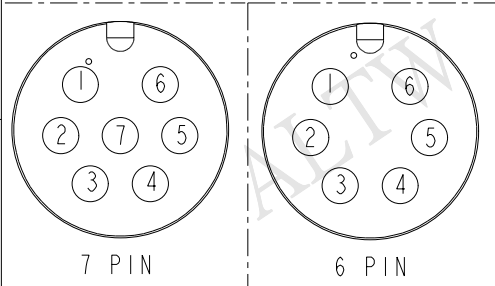
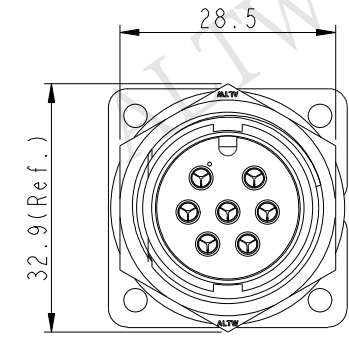
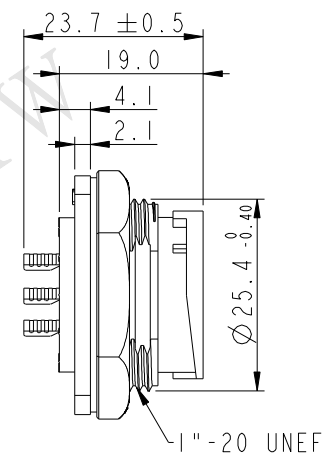
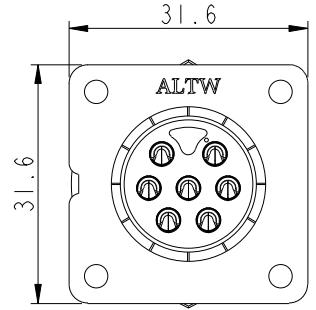
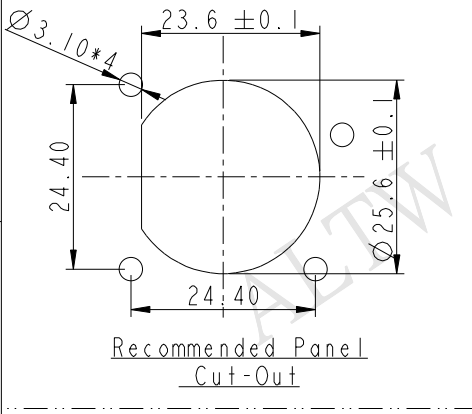


REV.	ECN NO.	DATE	SIGN	DESCRIPTION
B	LEN1670042~47	2016-07-05	Jinhai	Change Note



- Note:
- * (CC) Important Dimension To Check.
 - * Waterproof Rate: IP67
 - * Housing: Nylon+GF, Black
 - * Male Pin: Copper Alloy, Gold Plated
 - * Gasket: Silicone, Gray
 - * Screw Nut: Nylon+GF, Black
 - * Use with waterproof cap or dust cap
Maximum Panel Thickness: 1.8mm
 - * Use without waterproof cap or dust cap
Maximum Panel Thickness: 3.0mm

UNIT: mm		TITLE LARGE PANEL LOCK M CONN M PIN		
TOLERANCE		SCALE	SIZE	SHEET OF
.X ±0.25		1:1	A4	1 OF 1
.XX ±0.1		REV.	WC-REV.	
.XXX ±0.05		B	A.2	
ANGLES ±1°		(CC): Inspection item		

Amphenol LTW
安費諾亮泰企業股份有限公司

ITEM NO.	DRAWN BY	DATE
	Jinhai	2016-07-05
DWG NO.	CHECKED BY	DATE
ADC-XXPMS-LS7001	Mafei	2016-07-05
CUSTOMER	APPROVED BY	DATE
ALTW	Jerry	2016-07-05

THIS DOCUMENT IS SUBJECT TO CHANGE WITHOUT NOTICE. IT IS CONFIDENTIAL AND A PROPERTY OF Amphenol LTW. DISCLOSURE TO THIRD PARTY HAS TO BE AUTHORIZED BY Amphenol LTW.