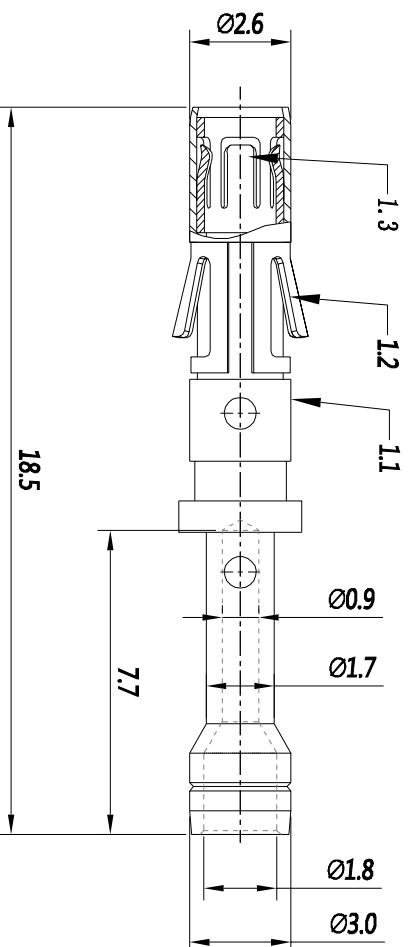


REVISIONS					
REV	ECO	DESCRIPTION	DATE	BY	APPR
B1	-	RELEASED DRAWING	JUN-19-2014	BEN	TOMMY



P/N	DESCRIPTION	QTY
MS24M23F	CONTACT PLATING(MATING AREA)	
MS24M23G10	GOLD FLASH PLATING OVER NICKEL.	
MS24M23G15	10µ"GOLD PLATING OVER NICKEL.	
MS24M23G30	15µ"GOLD PLATING OVER NICKEL.	
	30µ"GOLD PLATING OVER NICKEL.	

- NOTES : (UNLESS OTHERWISE SPECIFIED)
- MATERIAL :
 - CONTACT BODY : COPPER ALLOY.
 - POSITIONING CLIP : COPPER ALLOY.
 - CROWN SPRING CONTACT : COPPER ALLOY.
 - SPECIFICATIONS :
 - CURRENT RATING : 13A(MAX).
 - TERMINATION TYPE : CRIMPING.
 - WIRE RANGE : 24~26AWG.
 - SUITABLE SOCKET TYPE : MP24M23xx.
 - ROHS COMPLIANT.
 - ALL DIMENSIONS ARE FOR REFERENCE USE ONLY.

QUANTITY	PART NUMBER	DESCRIPTION	ITEM
		MATERIALS LIST	
		Amphenol	
		Shine Systems - www.amphenol-shine.com	
		44724 Monkey Drive	
		Clinton Township, MI 48038	
		ECO-MATE SOCKET CONTACT, MACHINE, 24-26AWG, SIZE 18	
		SIZE TYPE	REVISION
		B C-	MS24M23xx B1
		SCALE NONE	SHEET 1 OF 1

UNLESS OTHERWISE SPECIFIED	SIGNATURES	DATE
1) All dimensions are in millimeters. 2) Tolerances are as follows: 1 Pl. DEC 2d 20 2 Pl. DEC 2d 20 3 Pl. DEC 2d 20 4) Note reference =	DRWEN: BBI	JUN 19 2014
	DESIGNER:	
	ENGINEER:	
	APPROVAL:	
	CUSTOMER:	

THIS DRAWING IS SUPPLIED FOR SPECIFICATIONS AND PERFORMANCE DATA. THE DRAWING IS NOT TO BE USED FOR REPRODUCTION AND ALL RIGHTS OF REPRODUCTION ARE RESERVED. ALL MANUFACTURING VARIATION.

PROCESS SPECIFICATIONS:
NEXT ASST.

MATERIAL SPECIFICATIONS:

ECO-MATE SOCKET CONTACT, MACHINE, 24-26AWG, SIZE 18

SIZE TYPE B C-

SCALE NONE

SHEET 1 OF 1

REVISION B1

MS24M23xx

SH: 1

REV: B1

DWG NO: MS24M23xx

FILE: ECO-MATE SOCKET CONTACT, MACHINE, 24-26AWG, SIZE 18