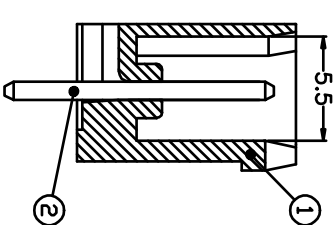
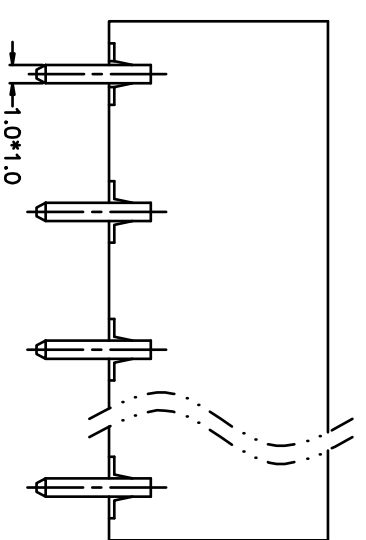
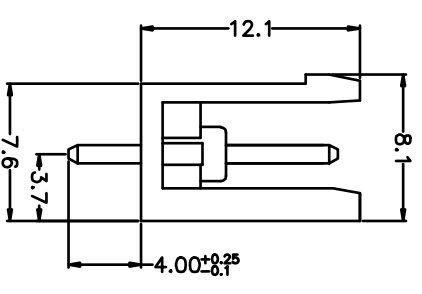
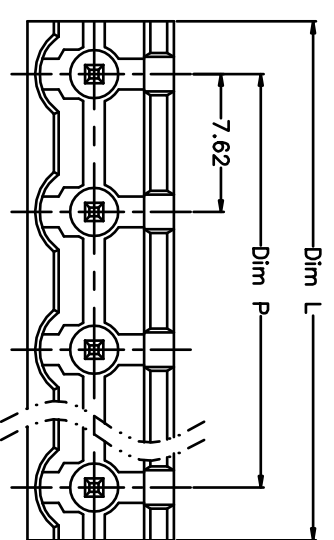


REV.	DESCRIPTION	DATE	DRAWN	APPROVED
A1	DWG.REL	2016/10/7	FANG	YANG

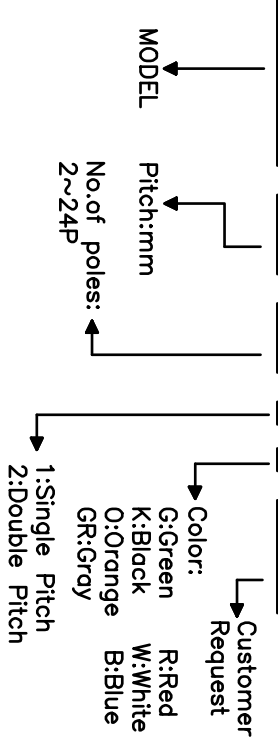


- Material  
 ØHousing : PA66, UL94V-0  
 ØPin header : Brass, Tin plated

- Electrical  
 UL IEC  
 Rated voltage : 300V 400V  
 Rated current : 15A 20A  
 Insulation resistance: 500MΩ/DC500V  
 Withstanding Voltage : AC2500V/1min

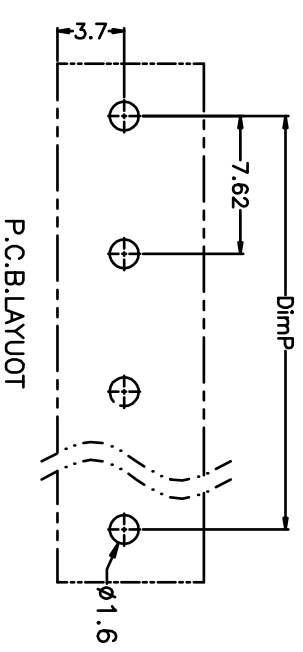
- Mechanical  
 Operating temperature: -40°C to +105°C  
 Soldering temperature: 250°C±5/5sec

HOW TO ORDER  
**KF2EDGV-X-7.62-XXP-1 X-XXXXX**



N=Number of Poles  
 Dim P=(N-1)\*7.62  
 Dim L=N\*7.62-1.8

Poles	Dim	Dim P	Dim L
2-6P	±0.10	±0.15	±0.20
7-12P	±0.20	±0.25	±0.30
13-18P	±0.25	±0.30	±0.40
19-24P	±0.30	±0.40	



GENERAL TOLERANCE	ANGLE TOLERANCE
X. ±0.5	X. ±5'
.X ±0.3	.X ±3'
.XX ±0.1	.XX ±1'

DRAWING TYPE	CUSTOMER
SCALE	1:1 SHEET 1 OF 1

DRAWING NO.	XP0012016-xxxx
-------------	----------------

PROJECTION	TITLE
UNITS mm	KF2EDGV-X-7.62-XXP
SHEET SIZE A4	SERIES KF2EDGV-X

**凯峰电子有限公司**  
 CIXI KAIFENG ELECTRONIC CO.,LTD