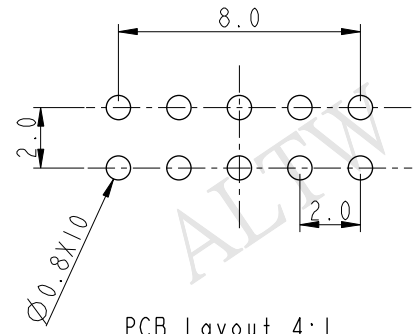
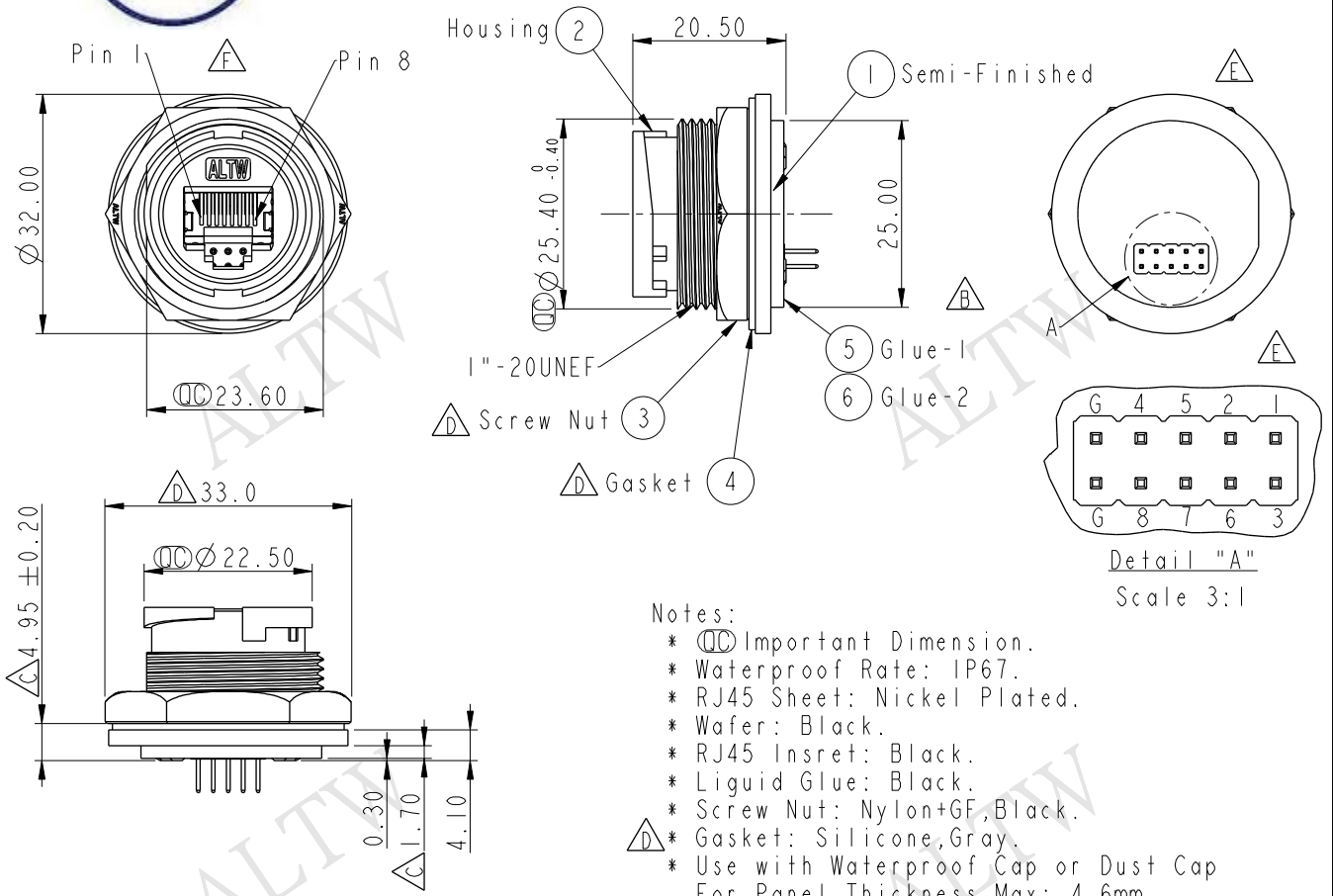
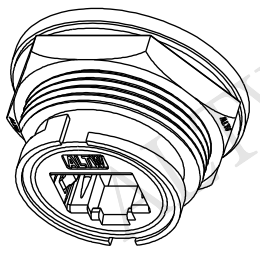


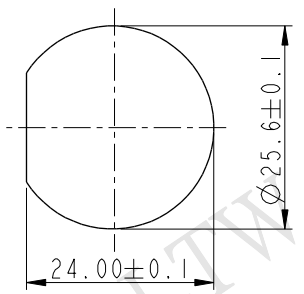
REV.	ECN NO.	DATE	SIGN	DESCRIPTION
D	LE31490115	2014/08/26	Feng_Li	Change Nut and Gasket
E	LEN1570125	2015/06/01	Jason.Yu	Add Wafer Pin View
F	LEN15A0235	2015/10/05	Ruru	Change Logo

ALTW
CONFIDENTIAL
2015-10-05
R&D DEPT.

ALTW
DCC. DEPT.
CONFIDENTIAL
2015.10.12
ISSUED



PCB Layout 4:1



Recommended Panel Cut-Out

- Notes:
- * \varnothing Important Dimension.
 - * Waterproof Rate: IP67.
 - * RJ45 Sheet: Nickel Plated.
 - * Wafer: Black.
 - * RJ45 Insret: Black.
 - * Liquid Glue: Black.
 - * Screw Nut: Nylon+GF, Black.
 - * Gasket: Silicone, Gray.
 - * Use with Waterproof Cap or Dust Cap
 - For Panel Thickness Max: 4.6mm.

Detail "A"
Scale 3:1

UNIT: mm		
TOLERANCE	.X ±0.25	.XX ±0.1
.XXX ±0.05		
ANGLES	±1°	

TITLE PANEL LOCK F CONN F PIN			
SCALE 1:1	SIZE A4	SHEET 1	OF 1
REV. F	WC-REV. C.4	\varnothing : Inspection item	

Amphenol LTW
安費諾亮泰企業股份有限公司

ITEM NO. RJS-5EPFFP-LC7002	DRAWN BY Ruru	DATE 2015-10-05
DWG NO. RJS-5EPFFP-LC7002	CHECKED BY Rita	DATE 2015-10-05
CUSTOMER ALTW	APPROVED BY Lisa	DATE 2015-10-05

THIS DOCUMENT IS SUBJECT TO CHANGE WITHOUT NOTICE. IT IS CONFIDENTIAL AND A PROPERTY OF Amphenol LTW. DISCLOSURE TO THIRD PARTY HAS TO BE AUTHORIZED BY Amphenol LTW.